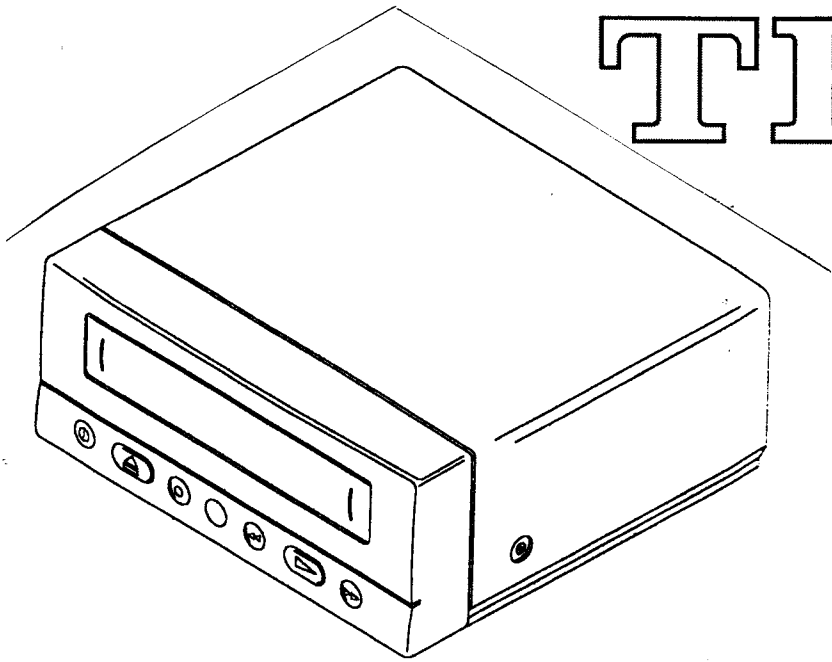


TEAC[®]



SERVICE MANUAL

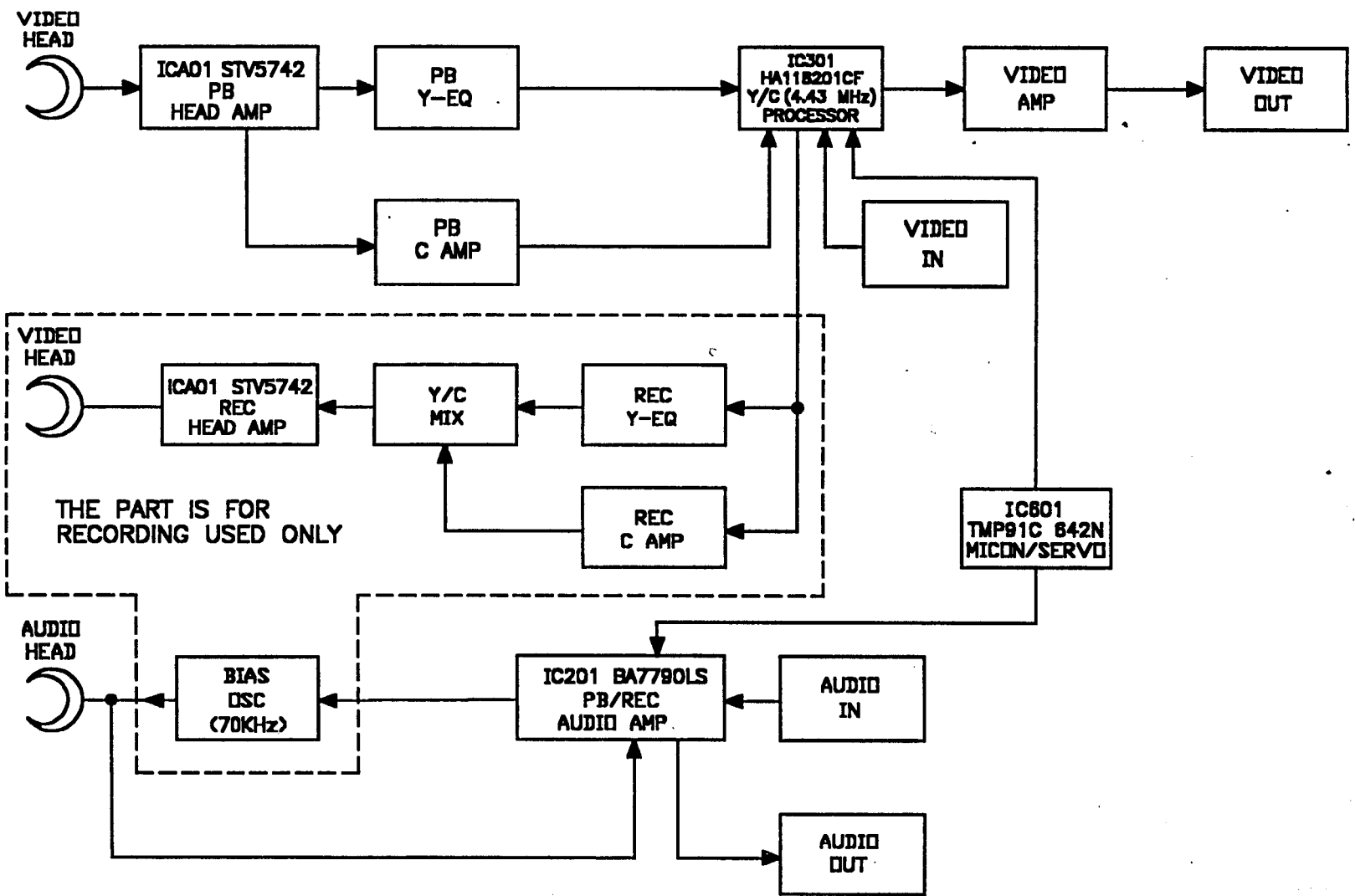
MV-1020

VCR

TABLE OF CONTENTS

	BLOCK DIAGRAM.....	3
	SPECIFICATIONS.....	4
SECTION 1.	CONTROLS AND FUNCTIONS.....	5
SECTION 2.	WIRING DIAGRAM.....	6
SECTION 3.	ELECTRICAL ADJUSTMENT.....	7
SECTION 4.	MECHANICAL ADJUSTMENT.....	9
SECTION 5.	TROUBLE SHOOTING FLOW CHART.....	13
SECTION 6.	WAVEFORMS ON VIDEO CIRCUIT.....	28
SECTION 7.	μ -COM PORT.....	31
	PRINTED CIRCUIT BOARD VIEWS.....	33
	CIRCUIT DIAGRAM.....	35
	EXPLODE VIEWS (CABINET).....	40
SECTION 8.	ASSEMBLING DIAGRAM & CHECK FOR THE MAJOR PARTS.....	41
SECTION 9.	EXPLODE VIEWS(DECK ASS'Y & CABINET).....	44

BLOCK DIAGRAM

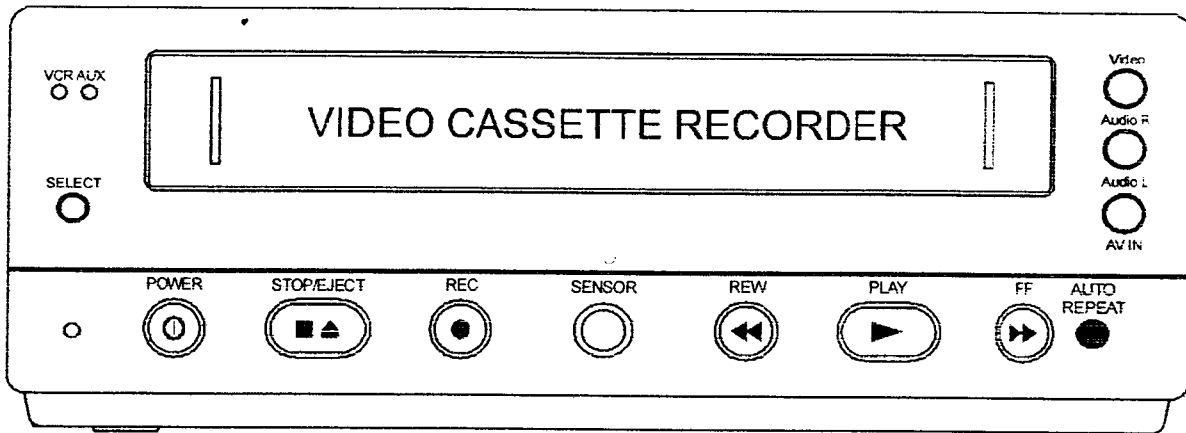


SPECIFICATIONS

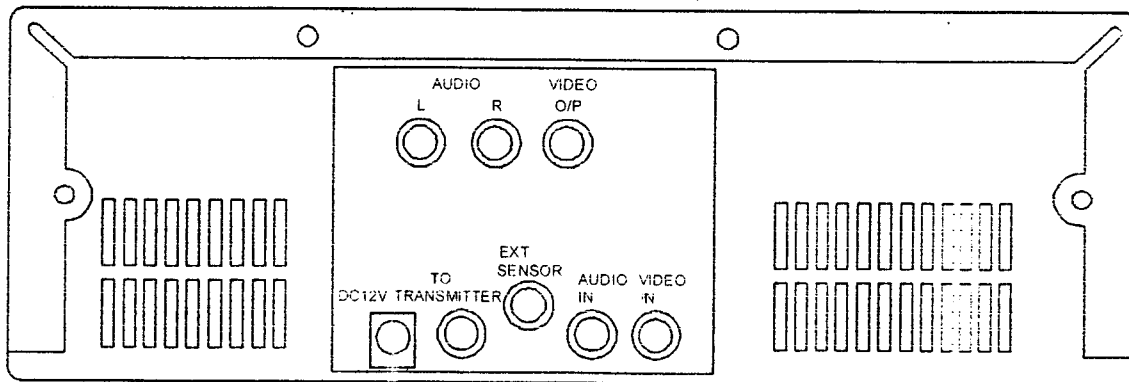
GENERAL		AUDIO	
Power requirement Power consumption Temperature	DC 12V Typical 10W 5°C~35°C (Operating) -20°C~60°C (Storage Temperature)	Input	-8 dBs, (CENELEC standard) more than 47 k-ohms, unbalanced
Operating position Dimensions (WxHxD) Weight Format Tape width Tape speed	Horizontal only 250x95x255(mm) Approx. 3.3 kg VHS standard 12.65 mm. (SP):23.39 mm/sec	Output	-6 dBs, (CENELEC standard) less than 1 k-ohm, unbalanced (100 k-ohms, load)
Maximum recording time with full-size cassette	(SP):240 min. with E-240 video cassette	Frequency range Signal to noise ratio Audio Distortion	100 Hz to 8,000 Hz 38dB (More than) Less than 3% (SP)
Maximum recording time with full-size cassette	(SP):45 min. with E-45 cassette	ACCESSORIES	
		Provided Accessories	Remote control unit AV Cable, Battery
VIDEO			
Signal system	PAL color and CCIR monochrome signals, 625 lines/50 fields position.		
Recording system	Rotary two-head helical scan with a slant double- azimuth combination video head.		
Input	1.0 Vp-p, 75 ohms, unbalanced.		
Output	1.0 Vp-p, 75 ohms, unbalanced.		
Signal to noise ratio	45 dB (Rhode & Schwas noise meter) with NETTETE IMAGE control at center position.		
Horizontal resolution	240 lines with NETTETE IMAGE control at center position.		
● Design and specifications can be subjected to change without notice.			

SECTION 1. CONTROLS AND FUNCTION

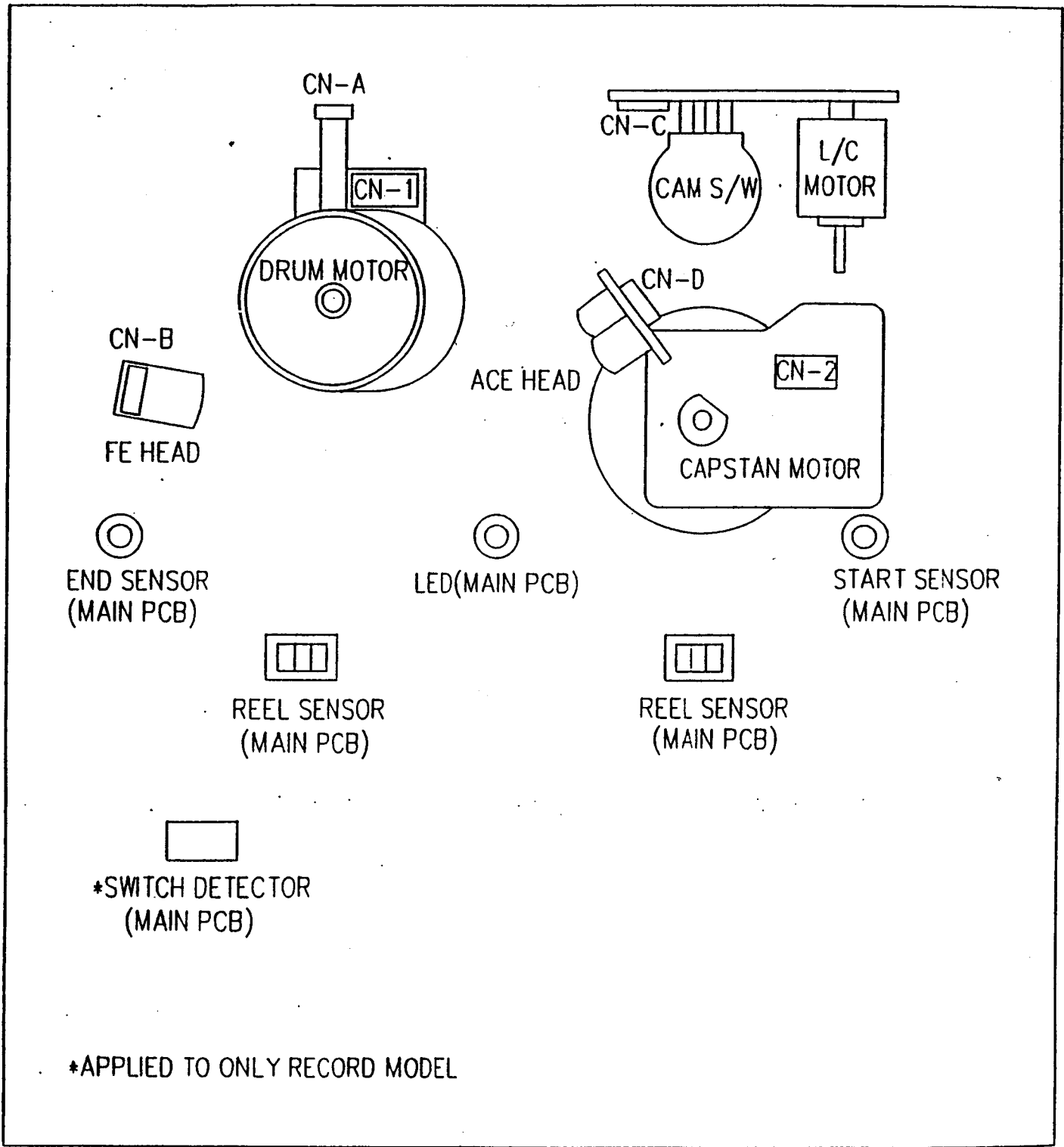
FRONT



REAR



SECTION 2. WIRING DIAGRAM



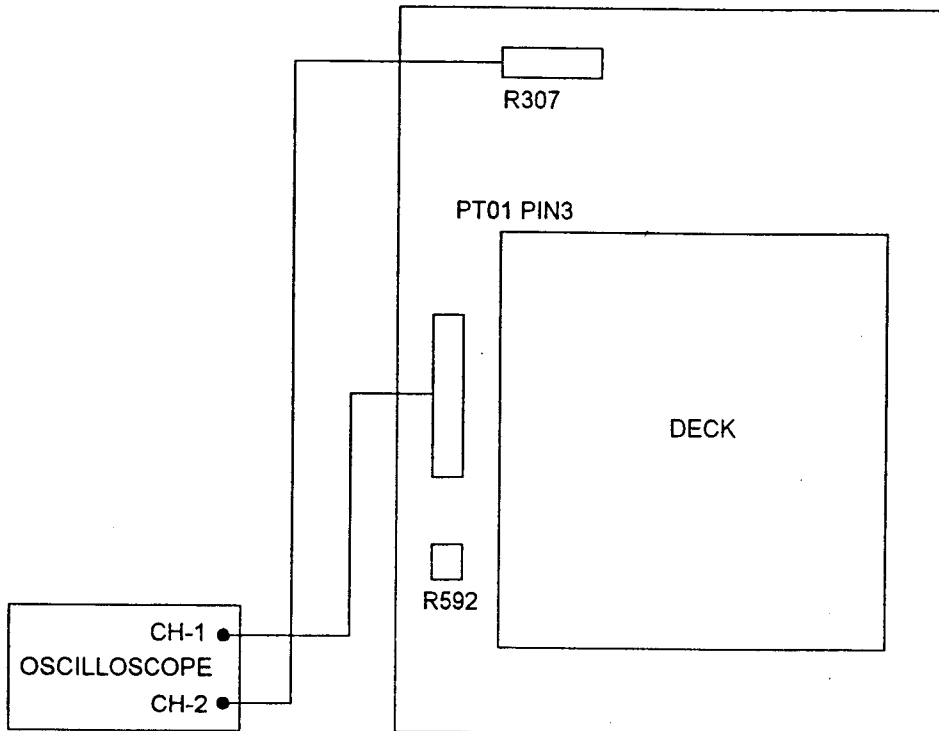
SECTION 3. ELECTRICAL ADJUSTMENT

2-1. SERVO CIRCUIT ADJUSTMENT METHOD

1. VIDEO HEAD SWITCHING POSITION

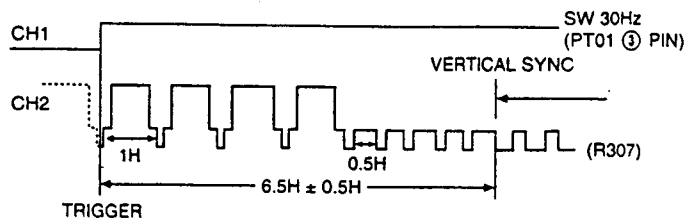
Adjustment Parts	Checking Point	Measuring Equipment	Mode	Test Tape
RV592	R307 PT01 PIN 3	Oscilloscope	PLAY	DP-2

● Connection Method



● Adjustment Procedure

- 1) Play back the test tape. (Color Bar DP-2)
- 2) Set the Oscilloscope in the chop mode connect the CH1 to SW pulse (PT01 PIN), the CH2 to VIDEO with CH1 triggering.
- 3) Adjust R592 for the positive trigger until $6.5 \pm 0.5H$ cycles before the vertical SYNC pulse.

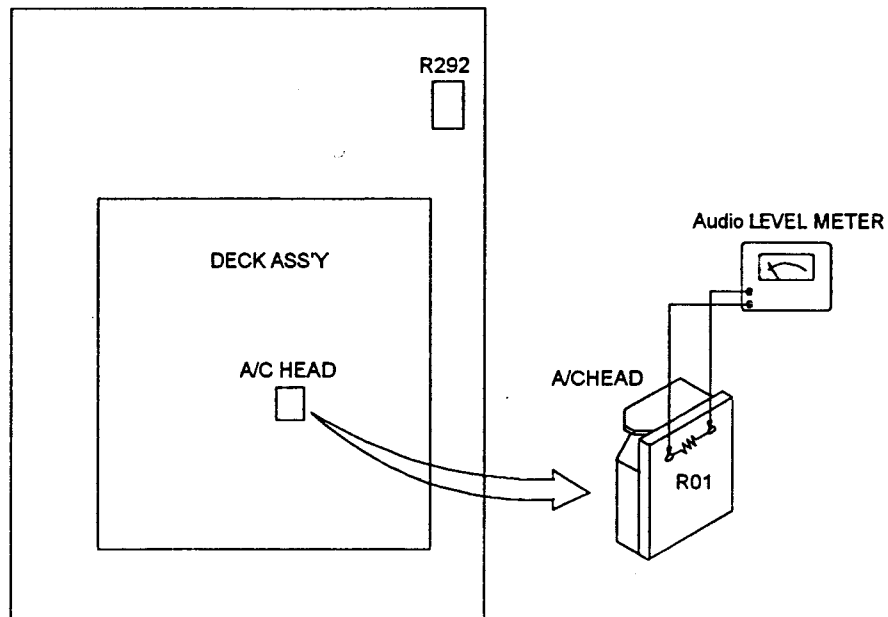


2-2. AUDIO CIRCUIT ADJUSTMENT METHOD

1. AUDIO RECORD BIAS

Adjustment Parts	Checking Point	Measuring Equipment	Mode	Test Tape
R292	A/V Head PCB R01	Audio level meter	Rec	None signal

● Connection Method



● Adjustment Procedure

- 1) Set the power on mode.
- 2) Set the input to open mode.
- 3) Connect the Audio level meter to both R01.
- 4) After inserting a blank tape, record in SP mode.
- 5) Adjust R292 to obtain 3.0 mVrms.

SECTION 4. MECHANICAL ADJUSTMENT

4-1. MECHANICAL ADJUSTMENT (See Fig. 4-1~4-5)

When operational problems occur or the mechanism reassembles, be sure to confirm the following INSTRUCTIONS.

- a). Make sure that the DATUM HOLE of the CAM GEAR is aligned with the DATUM HOLE in the MAINBASE in the EJECT mode as shown in Fig. 4-1.

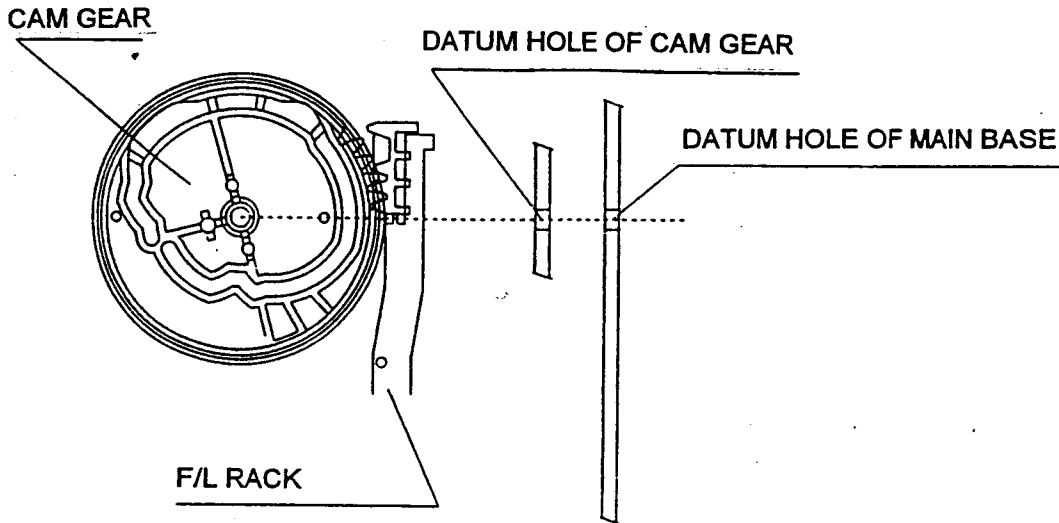


Fig. 4-1 DATUM POSITION OF F/L RACK & CAM GEAR

- b). Make sure that the ending part "A" of the RELAY LEVER assembled in the CONNECT PLATE is fully rotated up to the left side of "B" of the MAINBASE and is attached to the boss "C" of the MAINBASE as shown in Fig. 4-2.

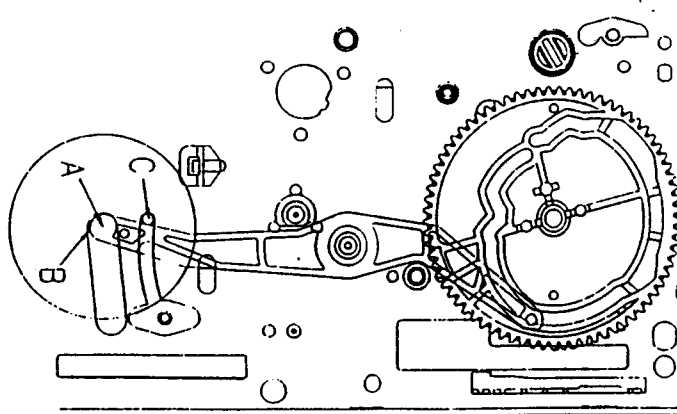


Fig. 4-2 DATUM POSITION OF RELAY LEVER & CAM GEAR

c). When reassembling the L/C BRACKET TOTAL ASSEMBLY on the MAINBASE, make sure that the two triangular marks of CAM SWITCH are aligned with each other as shown in Fig. 4-3.

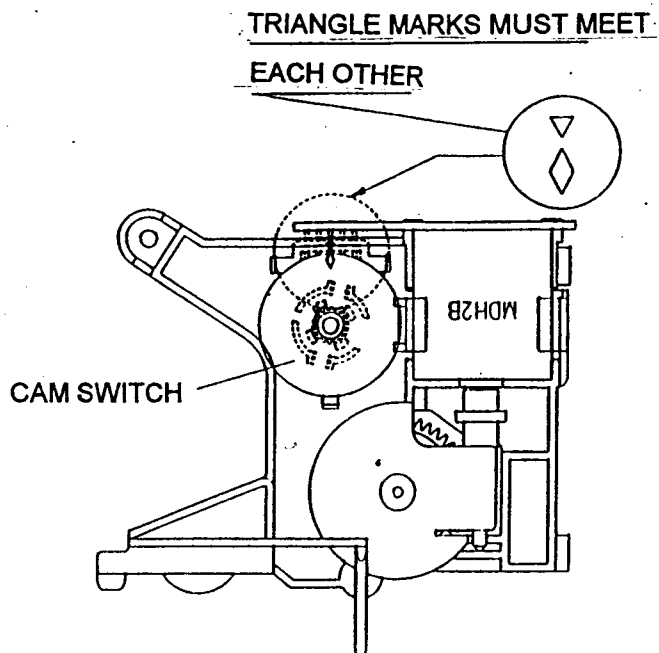


Fig. 4-3 DATUM POSITION OF CAM SWITCH TRIANGULAR MARKS

d). Make sure that the boss "A" of the PINCHLEVER TOTAL ASSEMBLY is positioned at the point "B" of the CAM GEAR as shown in Fig. 4-4.

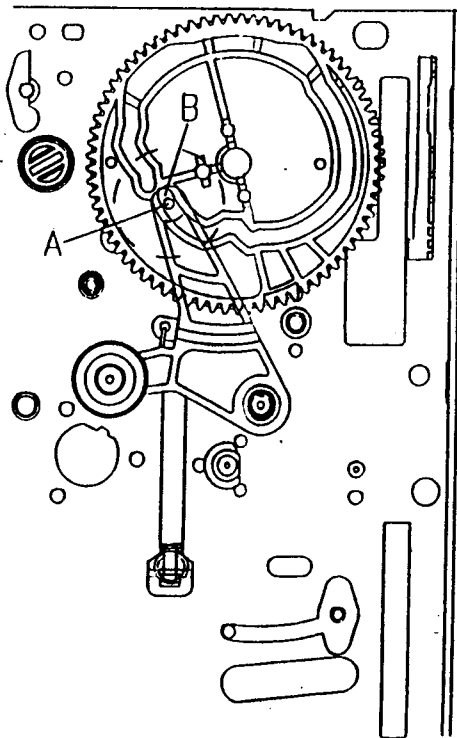


Fig. 4-4 DATUM POSITION OF PINCH LEVER TOTAL ASS'Y & CAM GEAR

e). Make sure that the triangular mark "A" on the L LOADING ASSEMBLY is aligned with the notch "B" on the R LOADING ASSEMBLY as shown in Fig. 4-5.

f). Make sure that the teeth of the LOADING RACK ASSEMBLY is aligned with the those of the R LOADING ASSEMBLY so that the hole of the LOADING RACK ASSEMBLY aligns with the circular mark on the R LOADING ASSEMBLY as shown in Fig. 4-5.

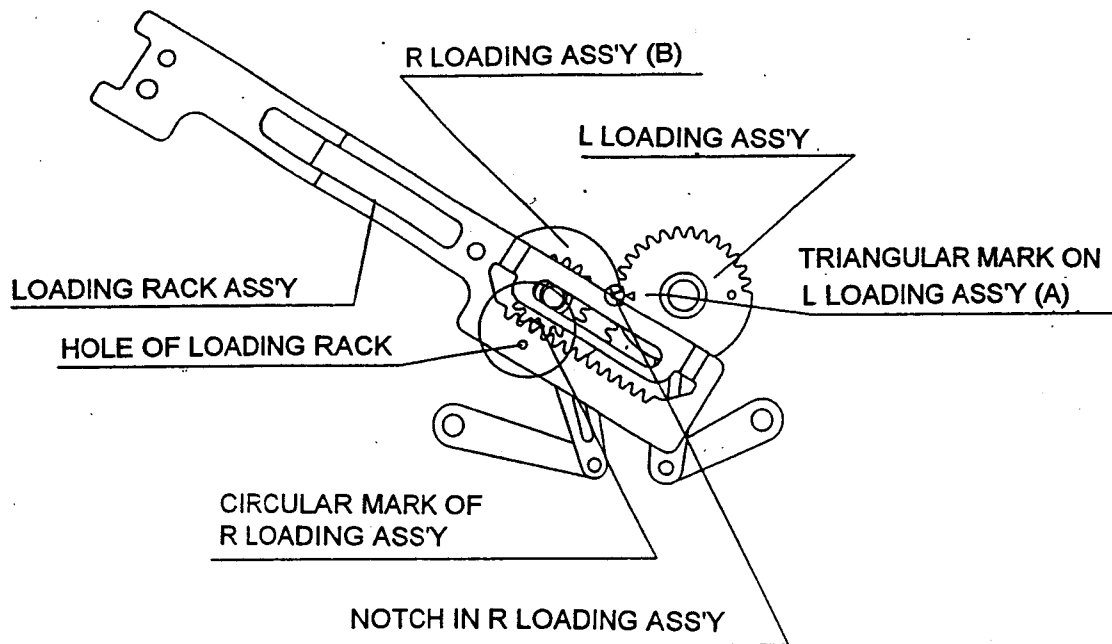


Fig. 4-5 DATUM POSITION OF LOADING RACK ASS'Y & R/L LOADING LEVER ASS'Y

4-2. BACK TENSION MEASUREMENT (See Fig. 4-6~4-7)

- Confirm that the position of the TENSION POLE is correctly POSITIONED. Refer to the "4-4 TENSION POLE POSITION ADJUSTMENT".
- Play back a T-120 TAPE at its center position without assembling F/L ASSEMBLY and wait until the TAPE running is stabilized (about 5~10 seconds).
- Bring the TENTELOMETER into contact with the TAPE (Fig. 4-6) and measure the BACK TENSION. The measuring result should be between 25 and 33 grams.
- If the measuring result is not within this specification, refer to the below NOTE or repeat "4-4 TENSION POLE POSITION ADJUSTMENT". (Fig. 4-7)

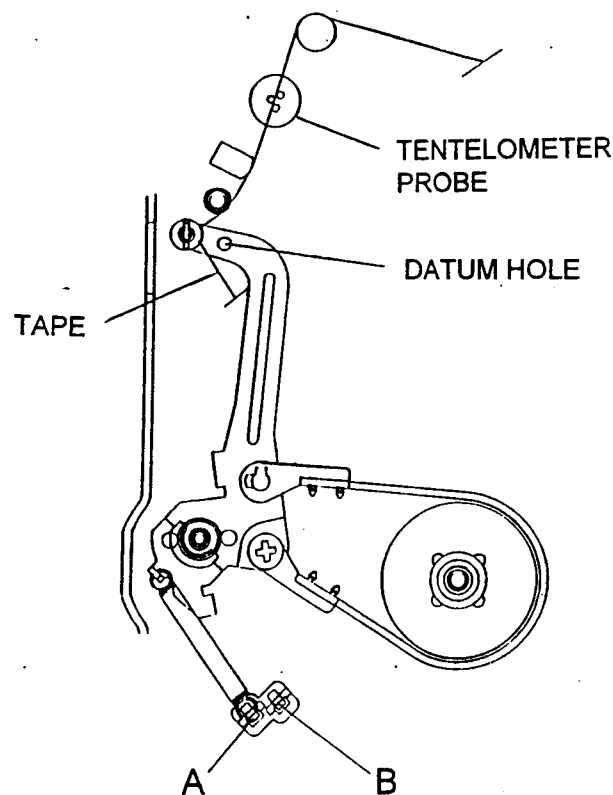


Fig. 4-6 BACK TENSION MEASUREMENT

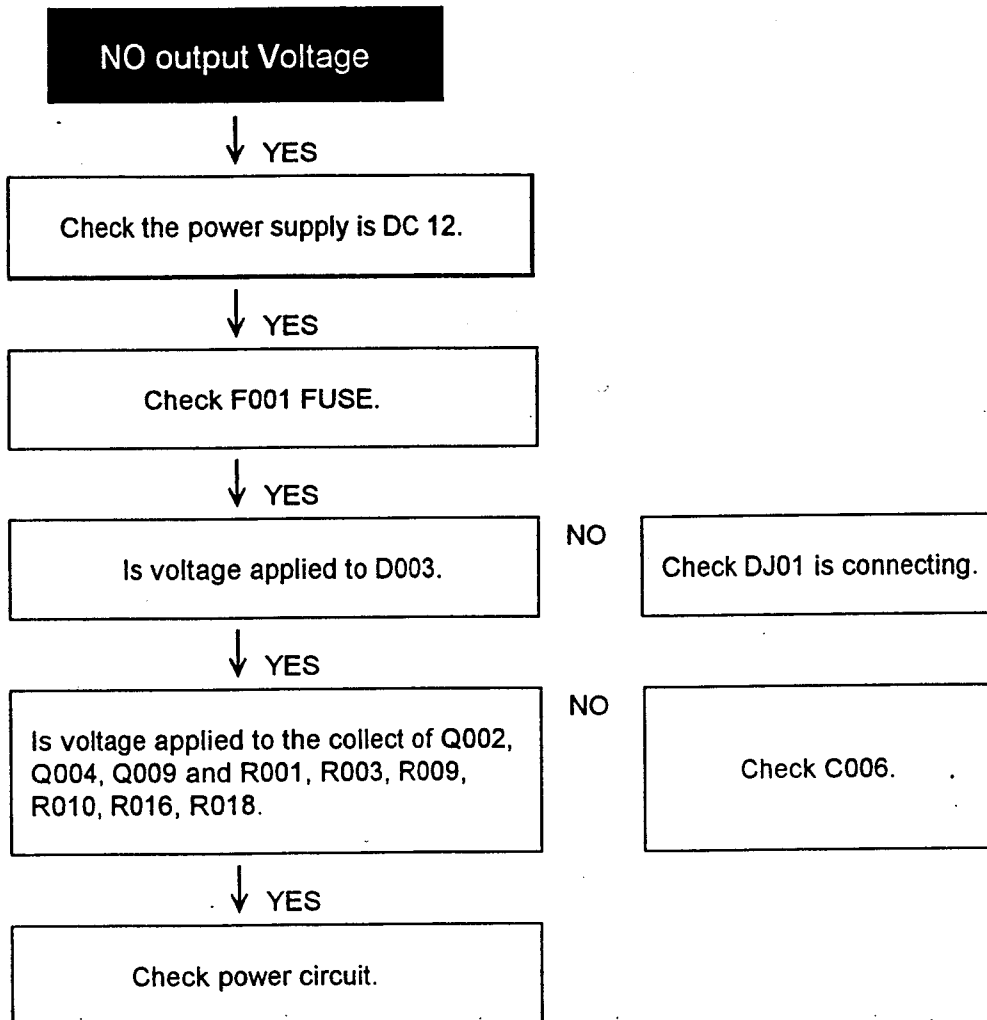
NOTE:

- If the measuring result is not within the specification, change the TENSION SPRING position. (To decrease the result, choose hook A. Otherwise, choose hook B).
- Confirm that all of the three probes of the TENSION METER are in contact with the TAPE. During this process, don't touch any other parts of the MECHANISM (i.e., MAINBASE).88
- It is recommended that this measurement be repeated at least three times for an accurate reading.

SECTION 5. TROUBLE SHOOTING FLOW CHART

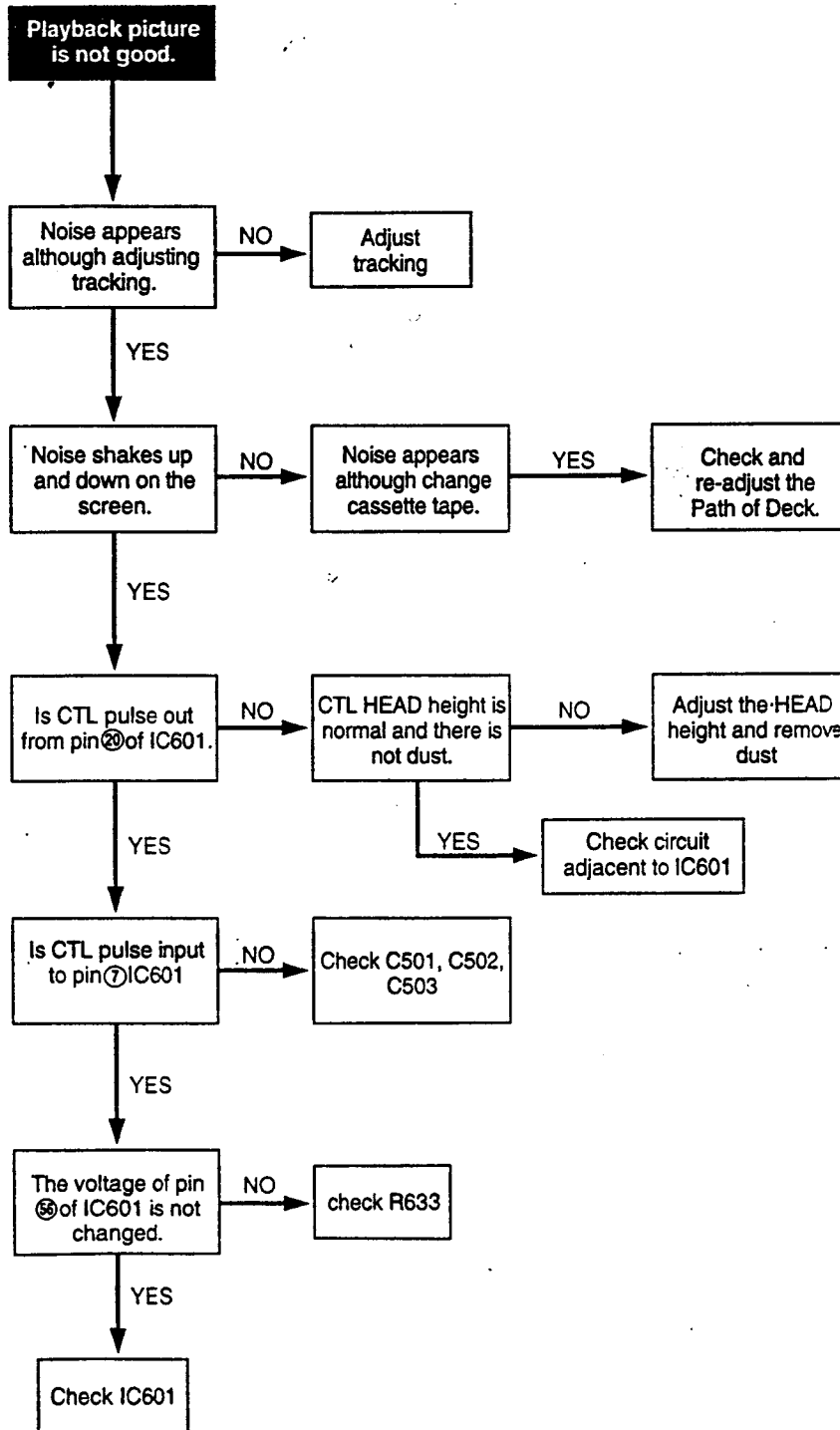
5-1. POWER CIRCUIT

A. CHECKING THE POWER CIRCUIT

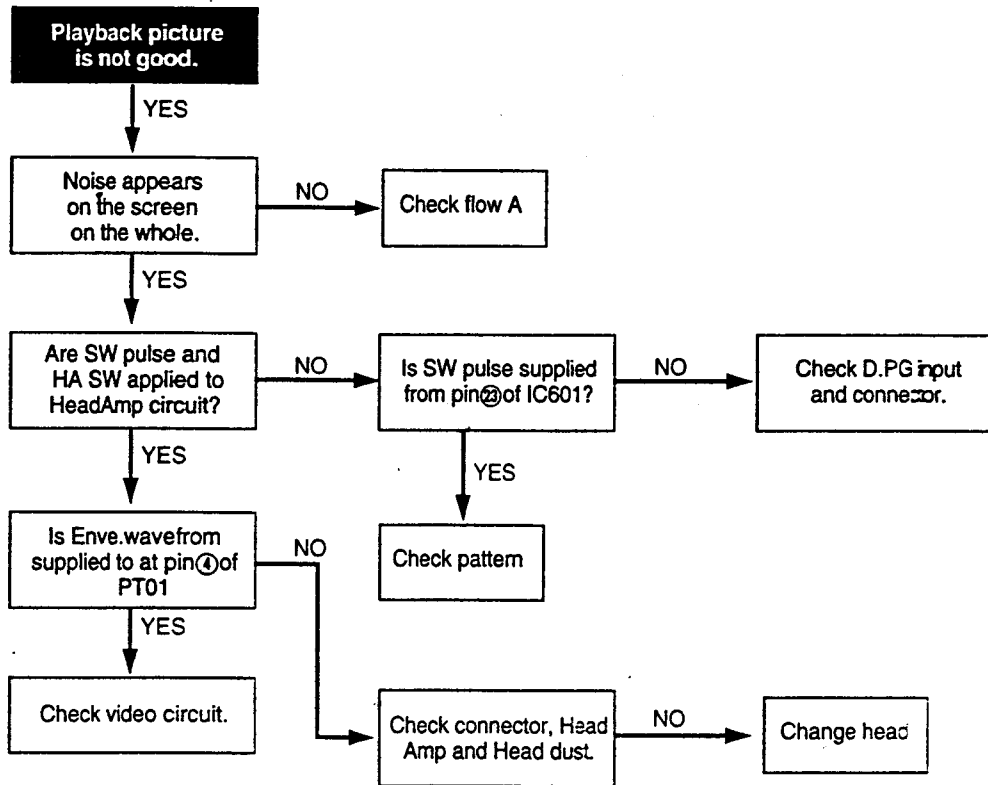


5-2 SERVO SYSCON CIRCUIT

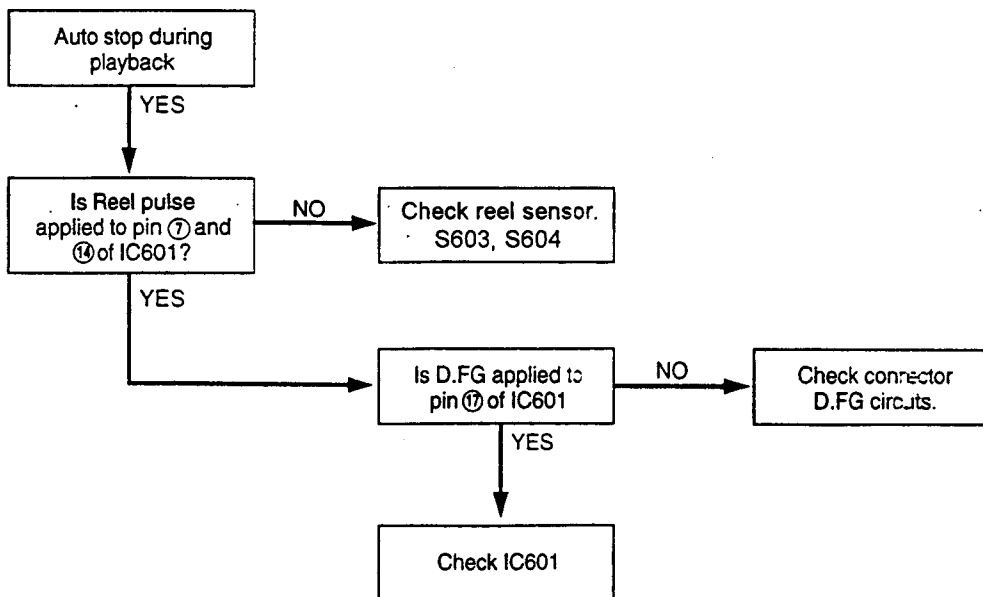
A.



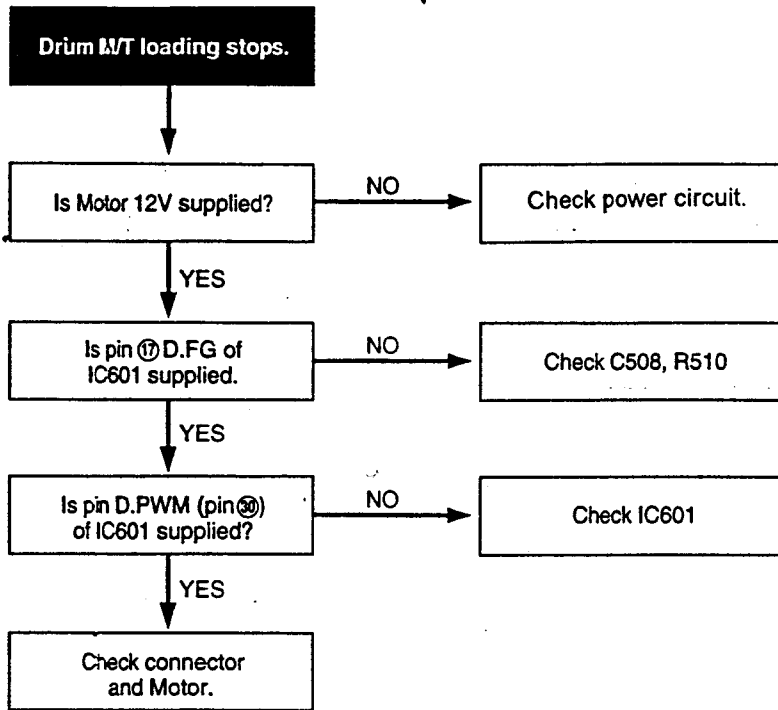
B.



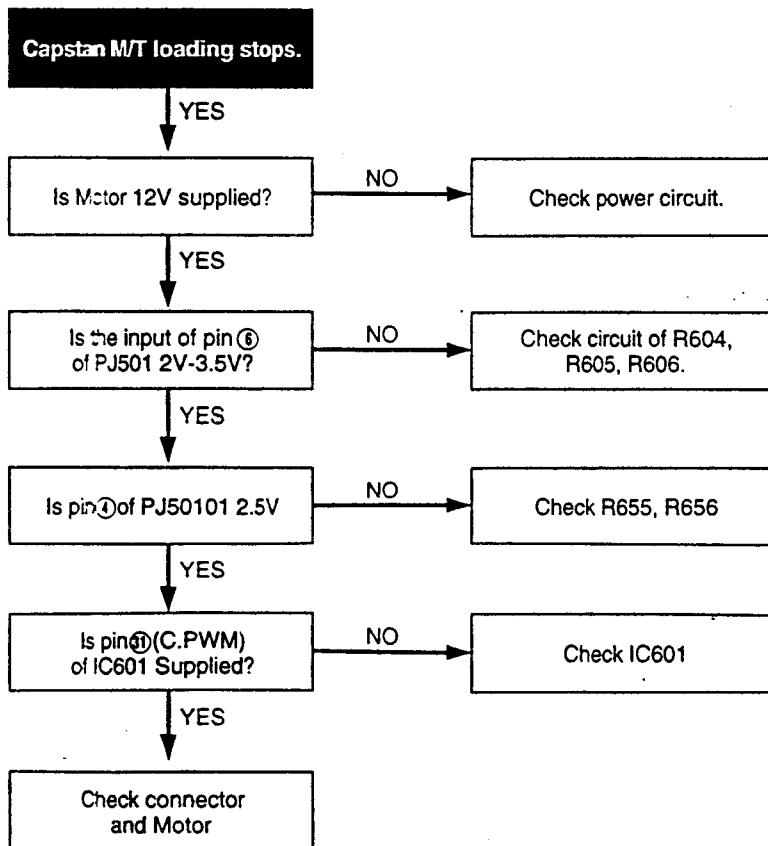
C.



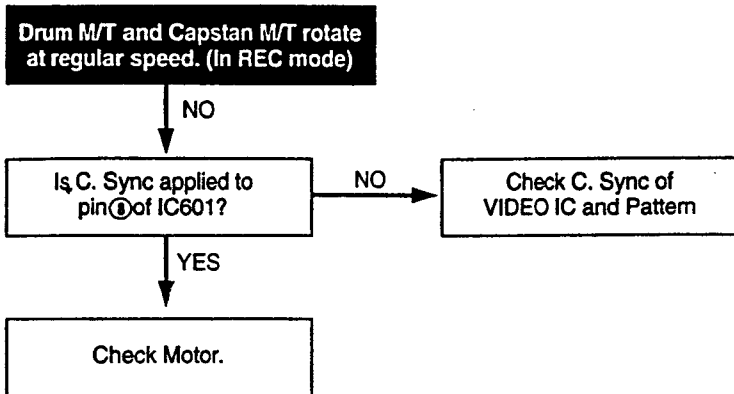
D.



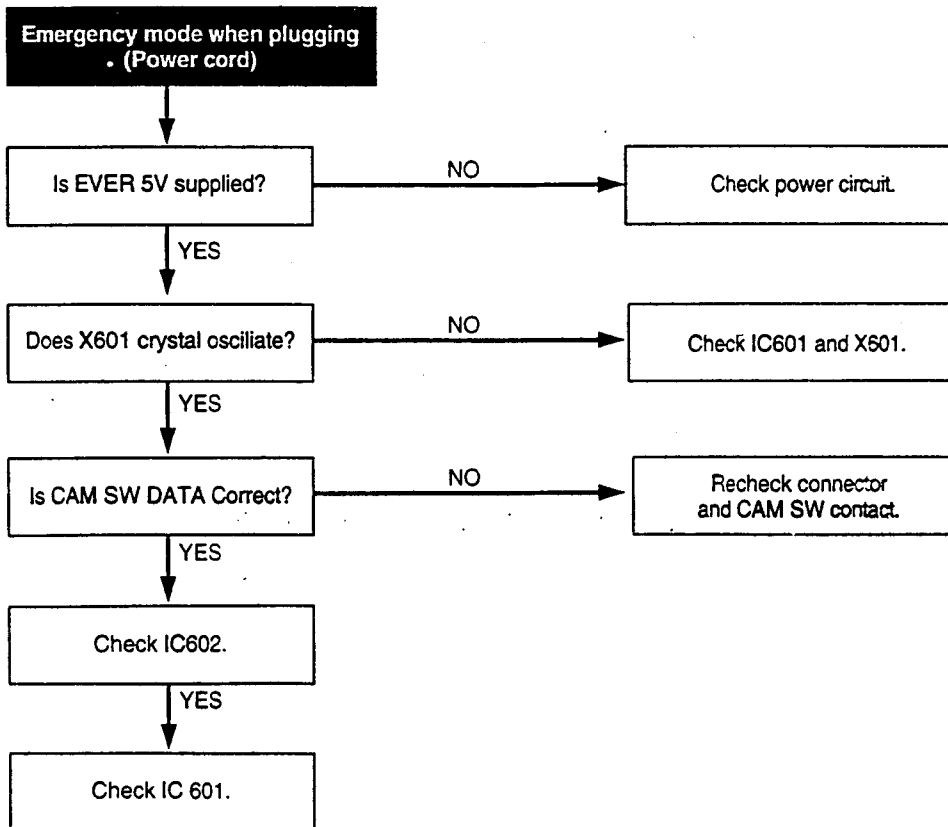
E.



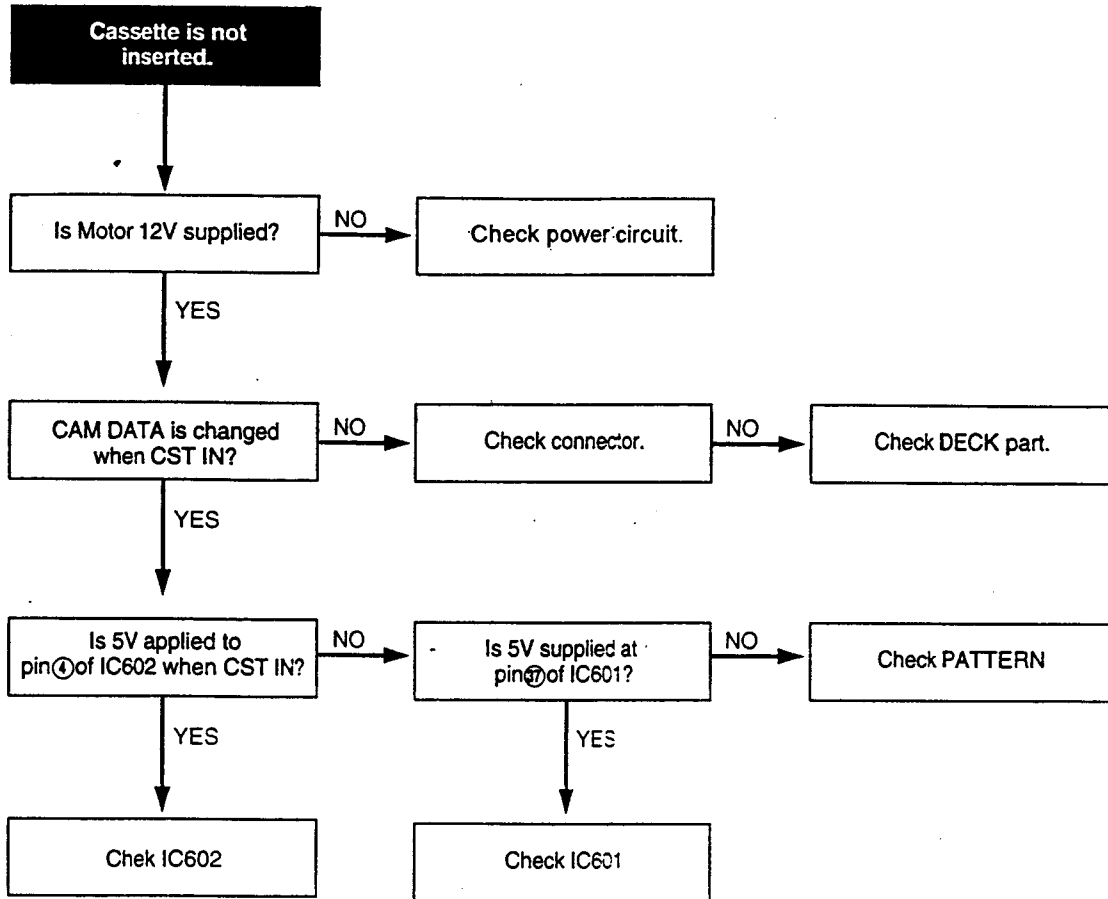
F.



G.



H.



Power compensation does not operated.

When mains is unplugged is 3.6V at pin ① and ② of IC601?

Check C602

Is \square signal applied to pin ⑦ and ⑧ of IC601?

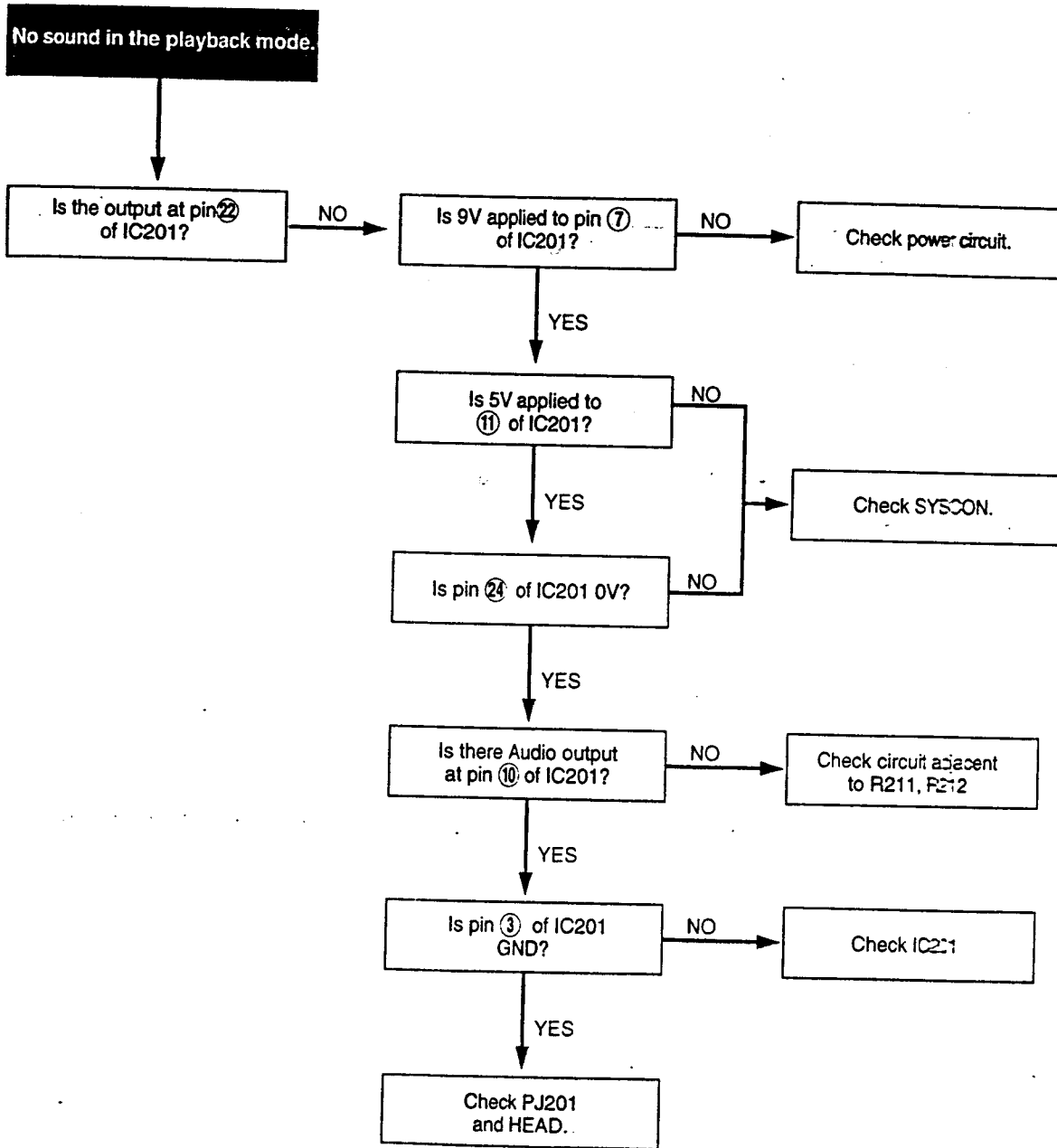
Check x601

Is 5V at pin ④ of IC601

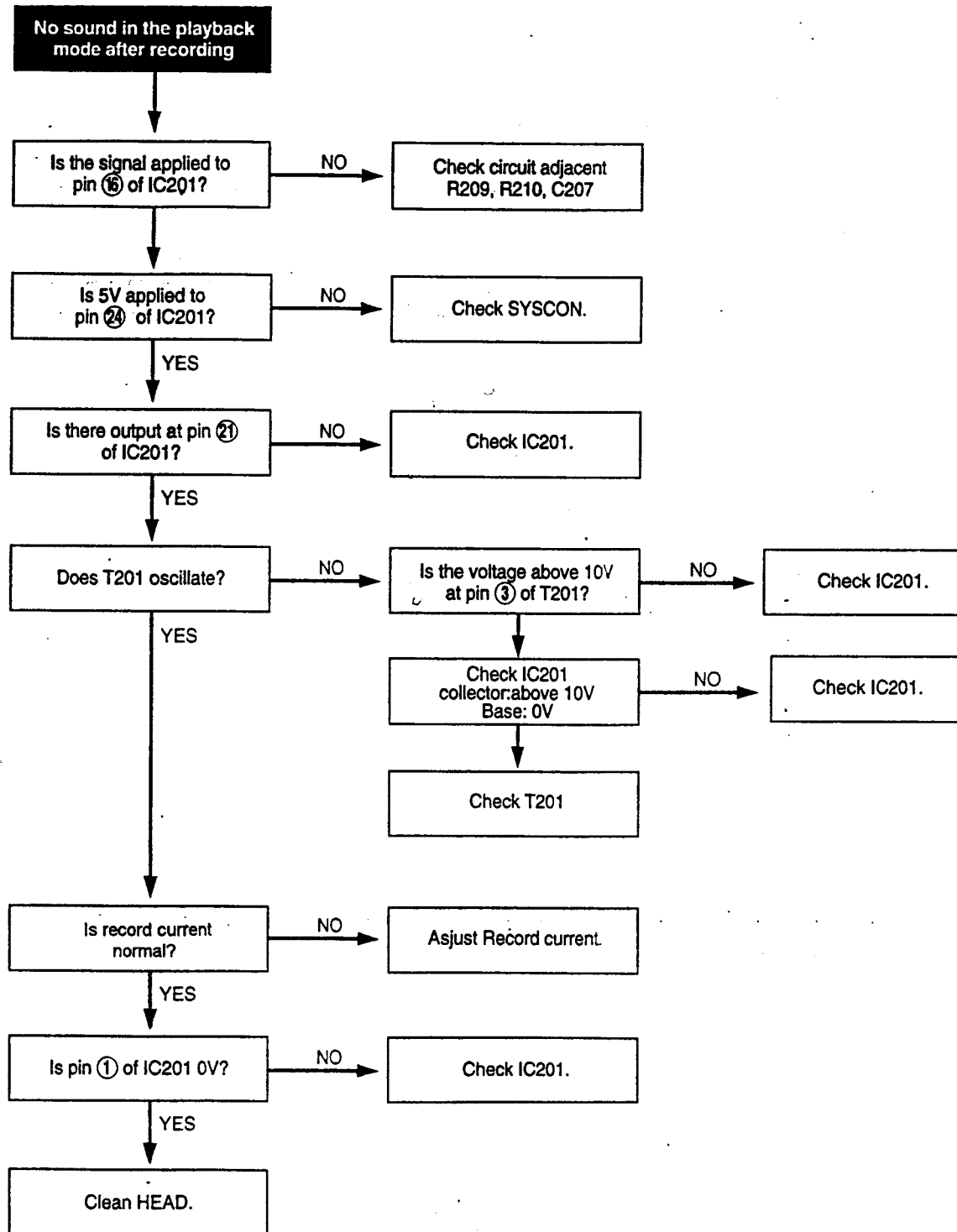
Check reset circuit IC603

Check IC601

A. Troubleshooting of PB mode

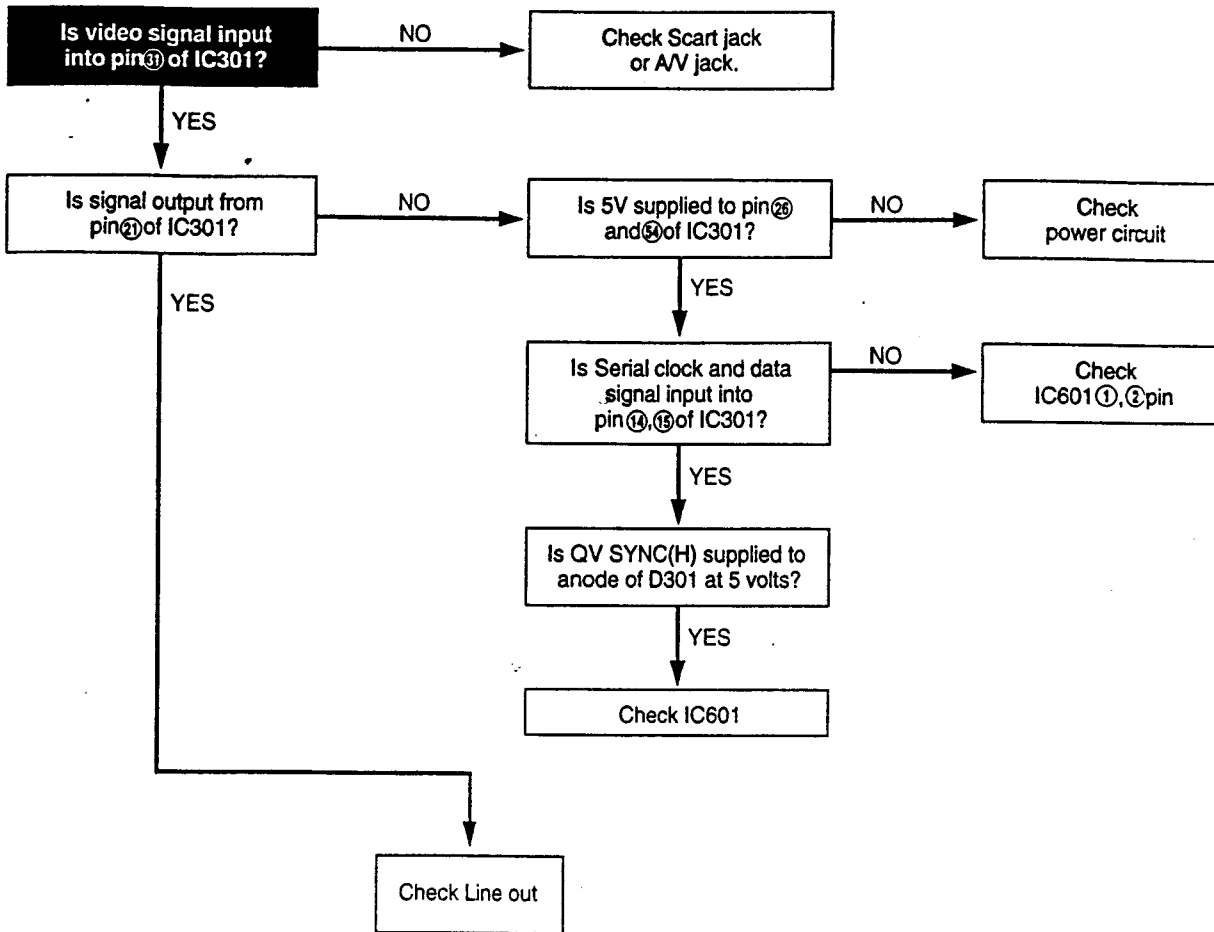


B. Troubleshooting of REC mode

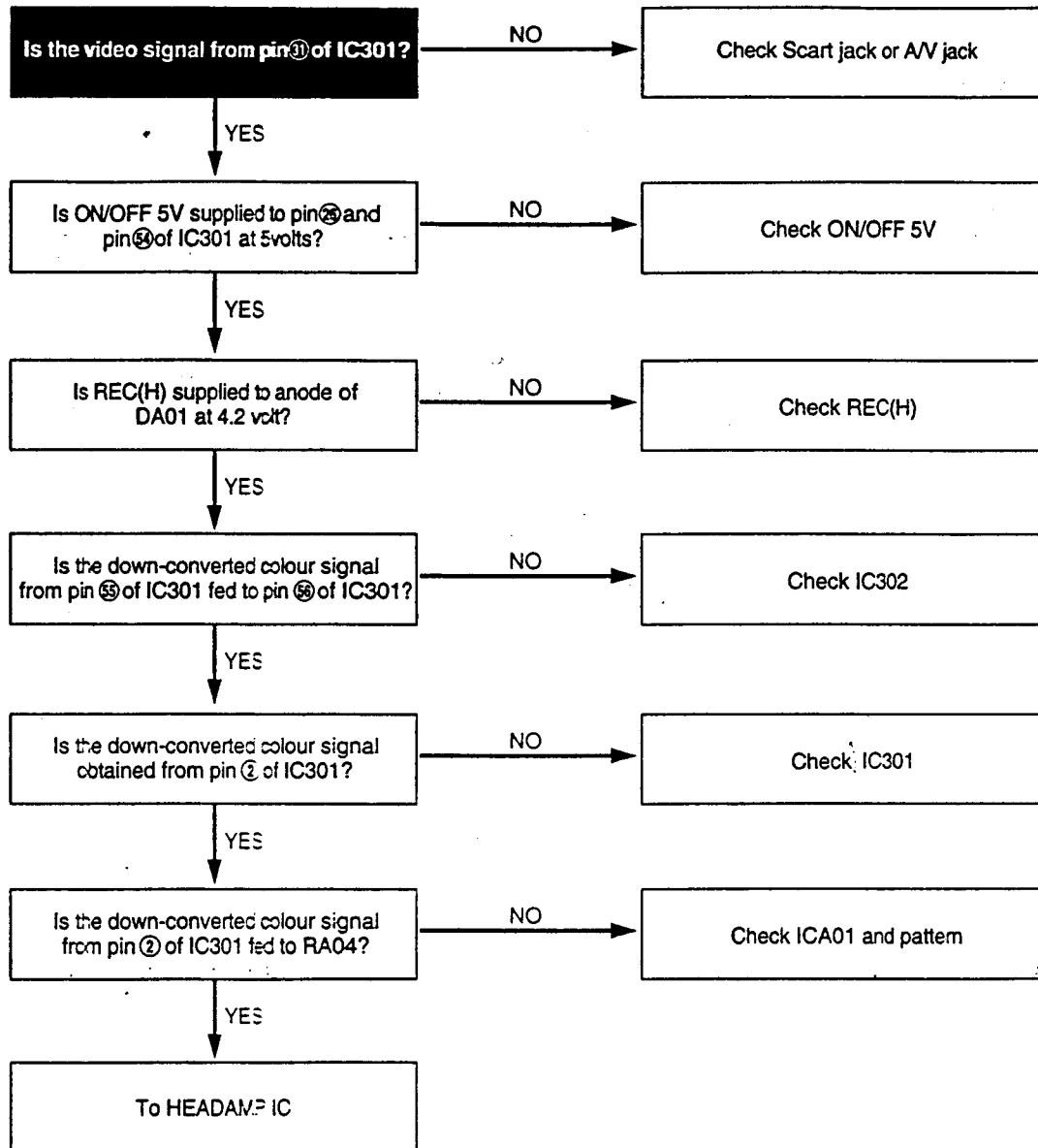


5-3 VIDEO CIRCUIT

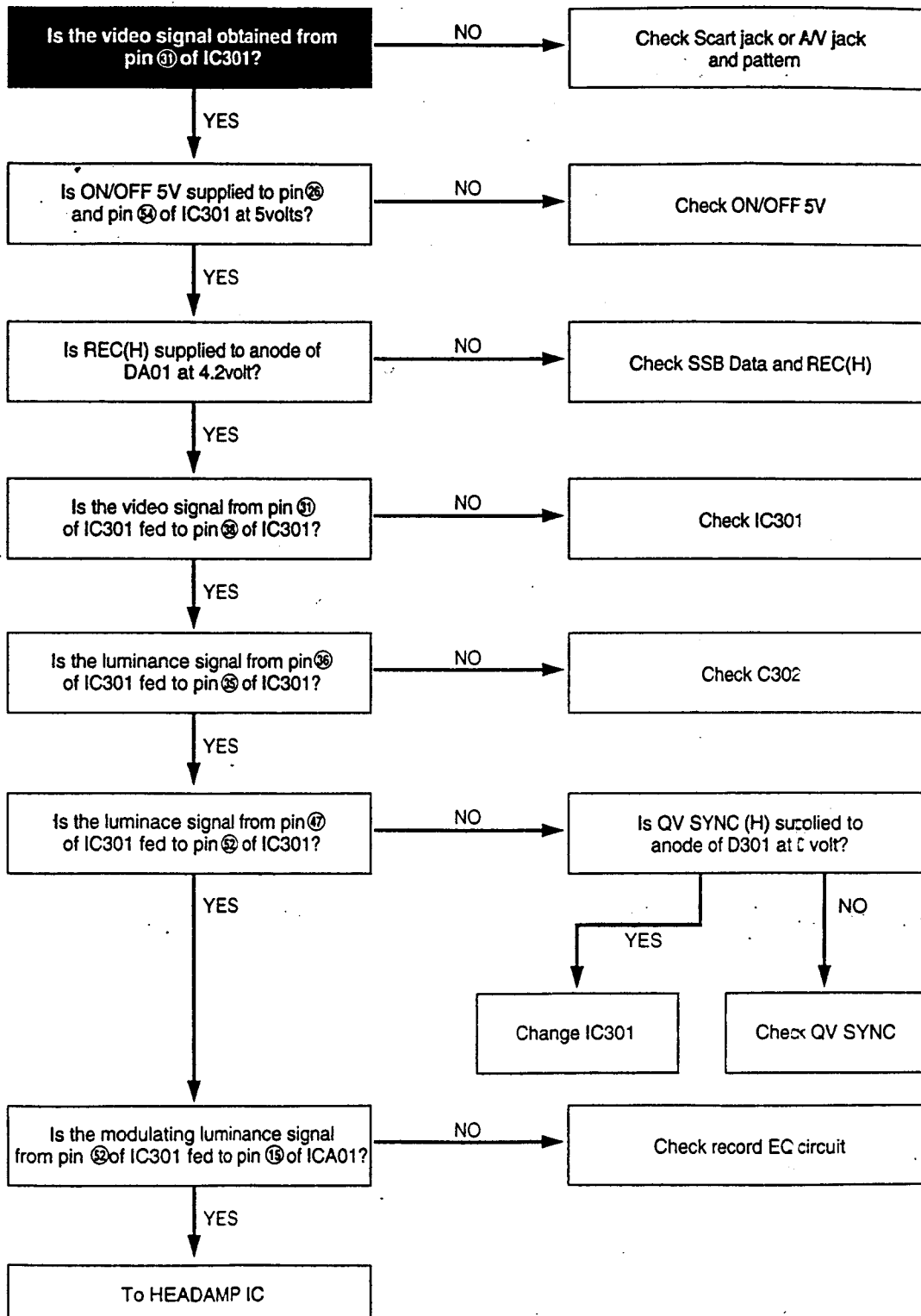
A.EE MODE Picture N.G



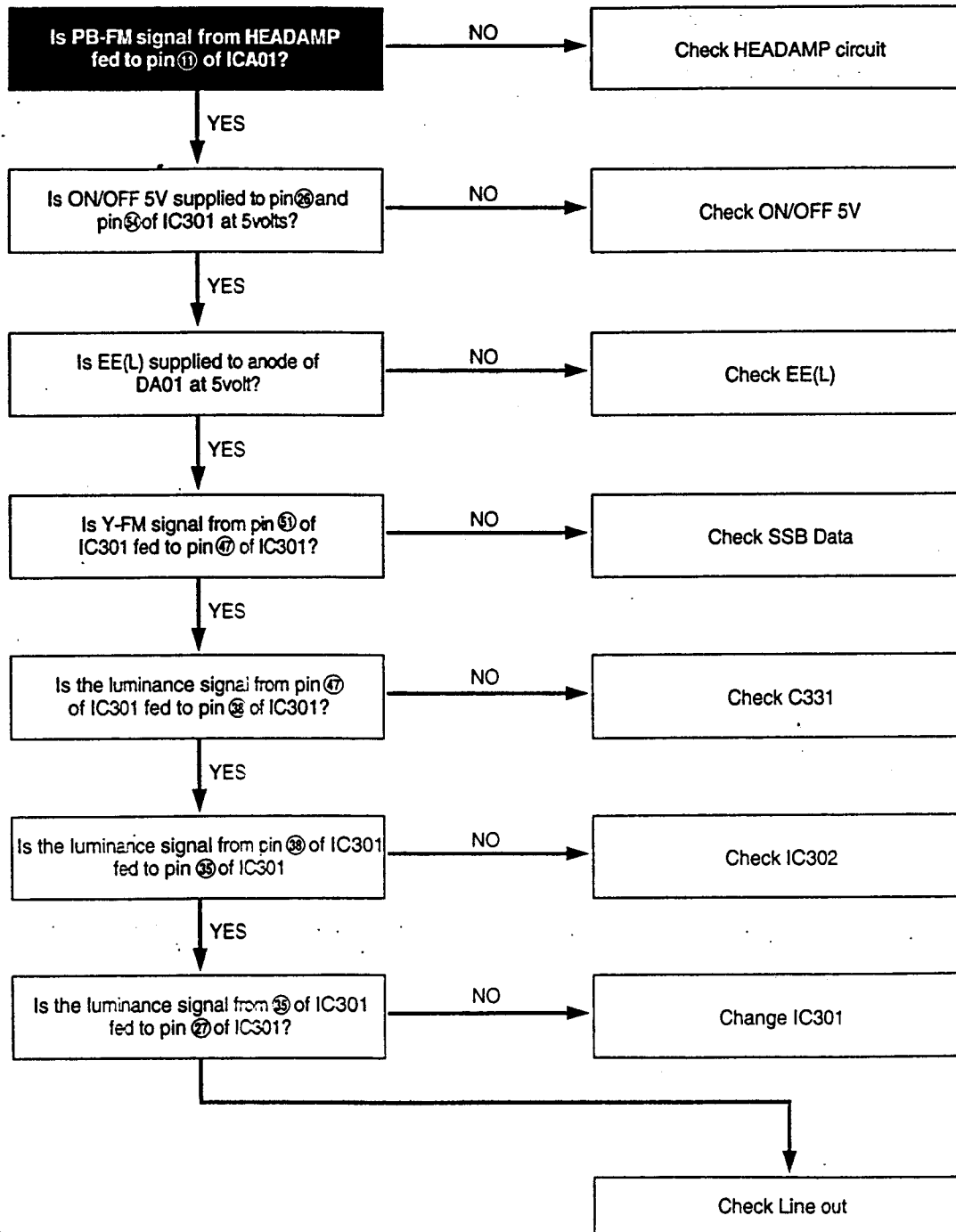
B. REC COLOUR NG



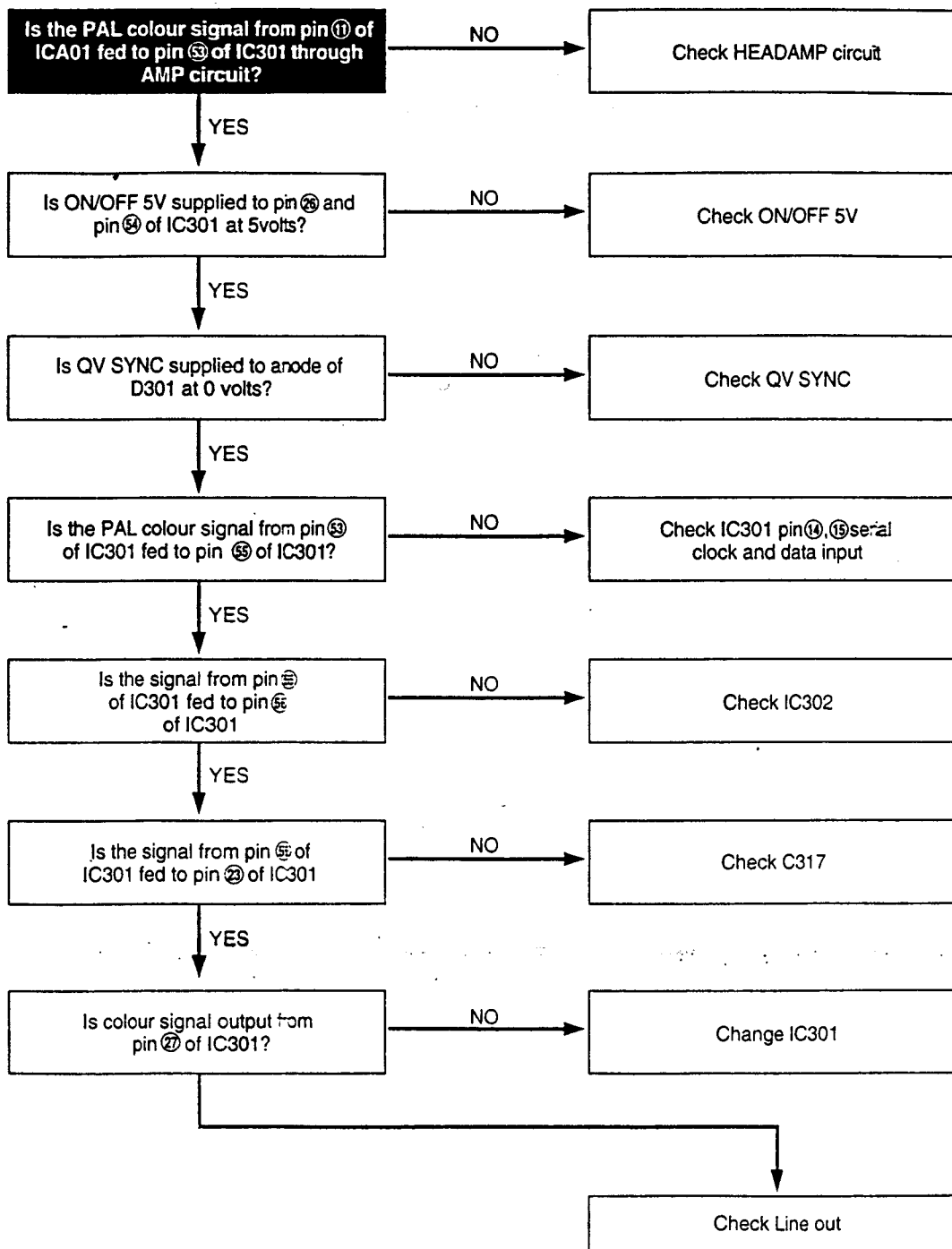
C.REC Luminance NG



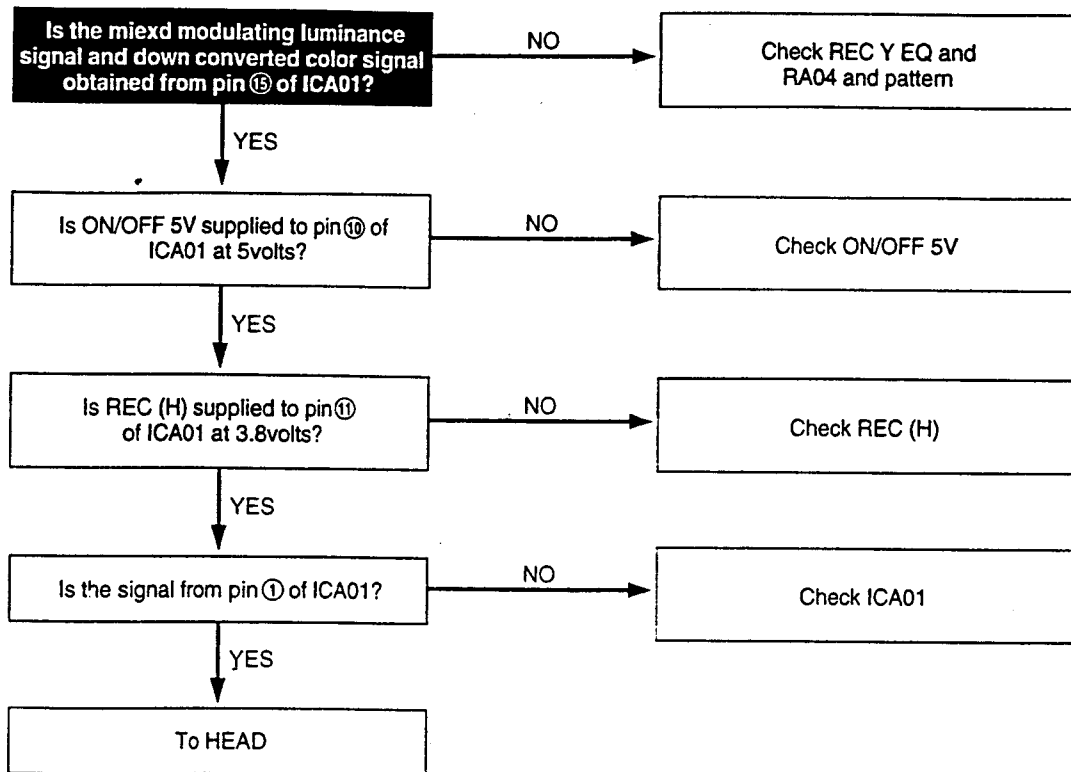
D. PB luminance NG



E. PB Colour NG

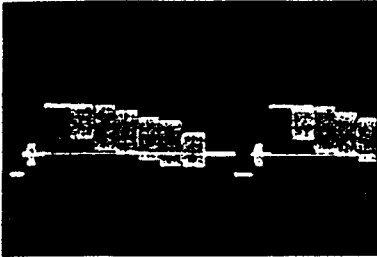


F. REC HEADAMP NG

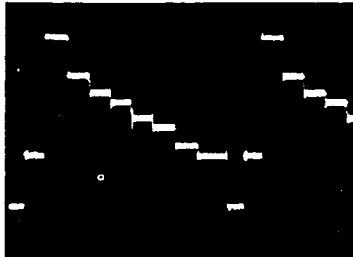


SECTION 6. WAVEFORMS ON VIDEO CIRCUIT

6-1 WAVEFORMS OF THE LUMINANCE AND COLOR IN THE RECORD MODE (Color bar input)



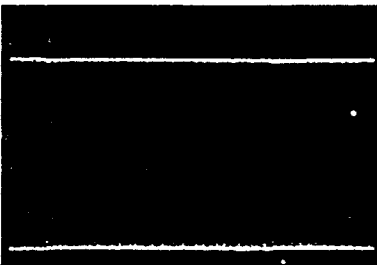
① VIDEO INPUT SIGNAL
(50mV/10ms)
Pin ③① of IC301
(PAL Color bar input: 1.0Vp-p)



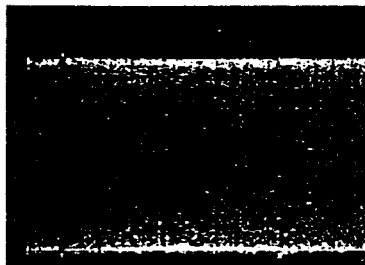
② VIDEO OUTPUT SIGNAL
(50mV/10ms)
Pin ③⑧ of IC301 (0.5Vp-p)



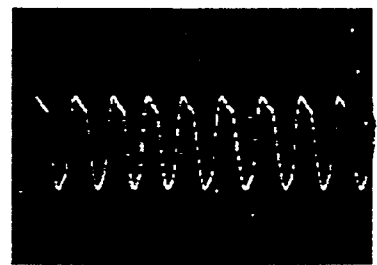
③ COLOR BURST SIGNAL
(50mV/10ms)
Pin ③⑤ of IC301 (0.5Vp-p)



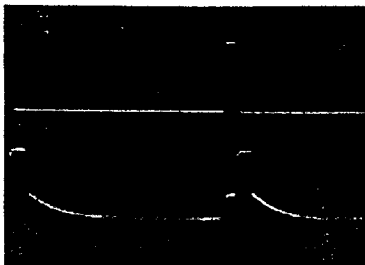
④ AFTER CCD Y
(100mV/10ms)
Pin ⑤② of IC301 (900mVp-p)



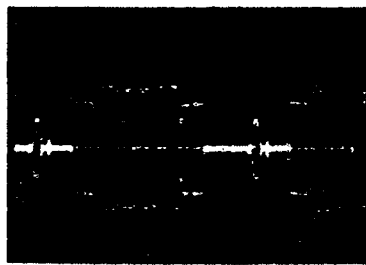
⑤ CLAMP INPUT SIGNAL
(100mV/10ms)
Pin ① of ICA01 (3.5Vp-p)



⑥ BGP OUTPUT TERMINAL
(1V/10ms)
pin ⑧ of IC301
(fsc=4.43MHz: 1.0Vp-p)

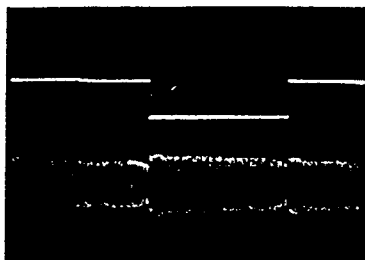


⑦ C.SYNC
(1V/10ms)
C.SYNC: 4Vp-p

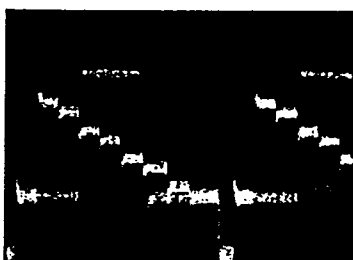


⑧ PB. FSC
(200mV/0.1μs)
Pin ⑤⑨ of IC301
(PAL Color: 350mVp-p)

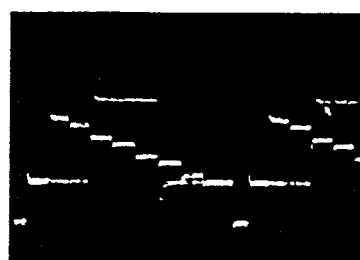
6-2 WAVEFORMS OF THE PAL LUMINANCE AND COLOR IN THE PB MODE (DP-1 test tape)



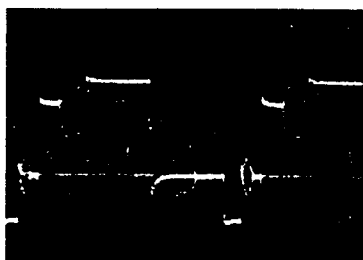
① UP: Pin ① of IC301
DOWN: Pin ⑤① of IC301



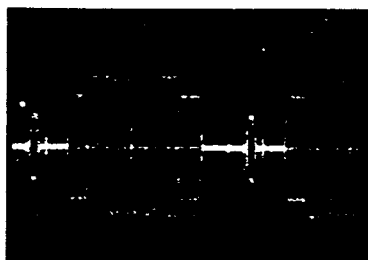
② Pin ③⑧ of IC301 (0.4Vp-p)



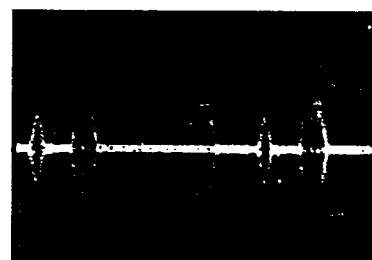
③ Pin ③⑤ of IC301 (0.4Vp-p)



④ Pin ②⑦ of IC301
(Video out: 2.0Vp-p)

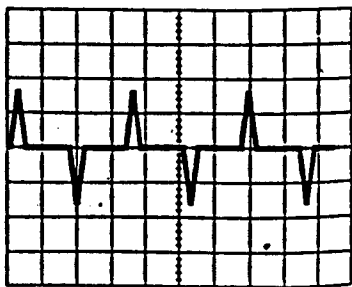


⑤ Pin ⑤⑥ IC301 (0.5Vp-p)

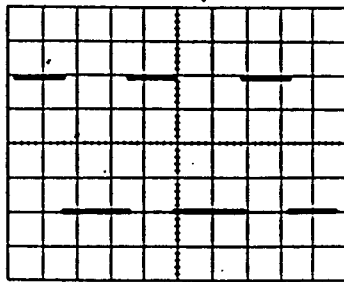


⑥ Pin ②③ IC301 (290mVp-p)

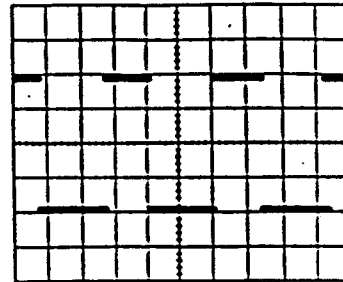
6-3 WAVEFORMS OF THE SERVO/SYSCON CIRCUIT



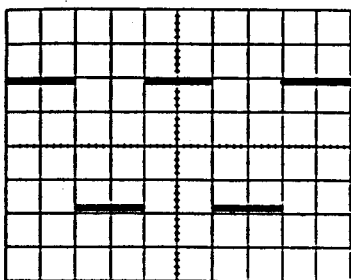
(A) 1V/10mS
Pin 6 of IC501



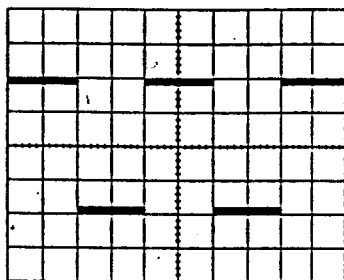
(B) 1V/10mS
Pin20 of IC601



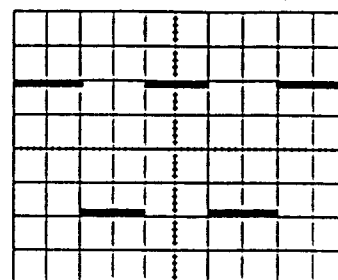
(C) 1V/10uS
Pin 31 of IC601



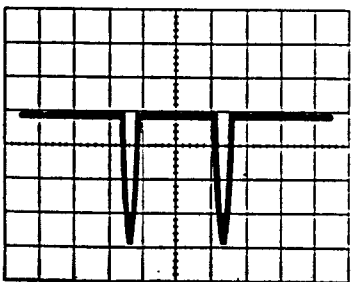
(D) 1V/5mS
Pin 23 of IC601



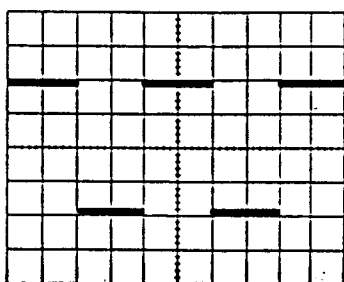
(E) 1V/10uS
Pin30 of IC601



(F) 1V/500uS
Pin 17 of IC601



(G) 1V/5mS
Pin 3 of PJ502

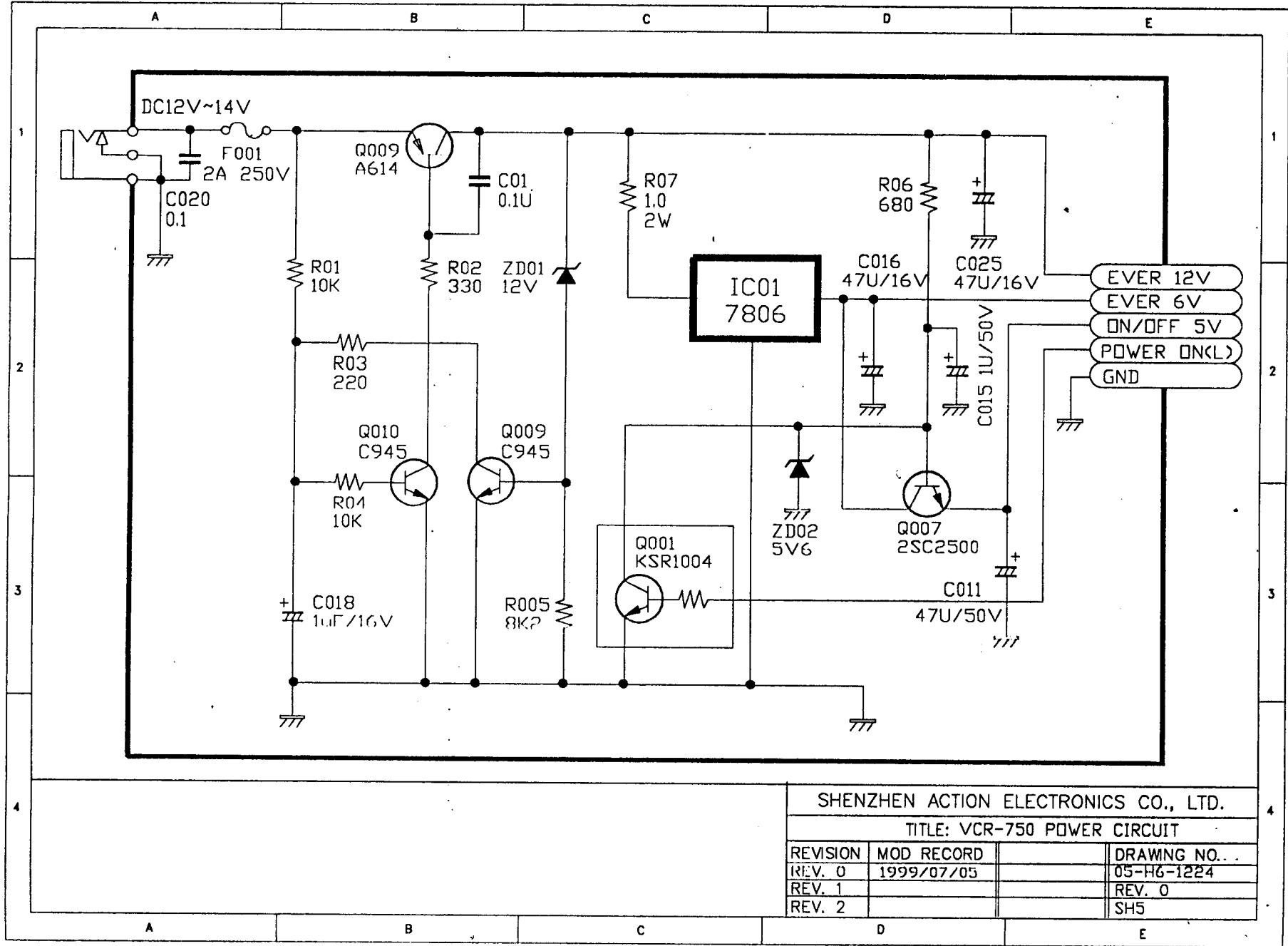


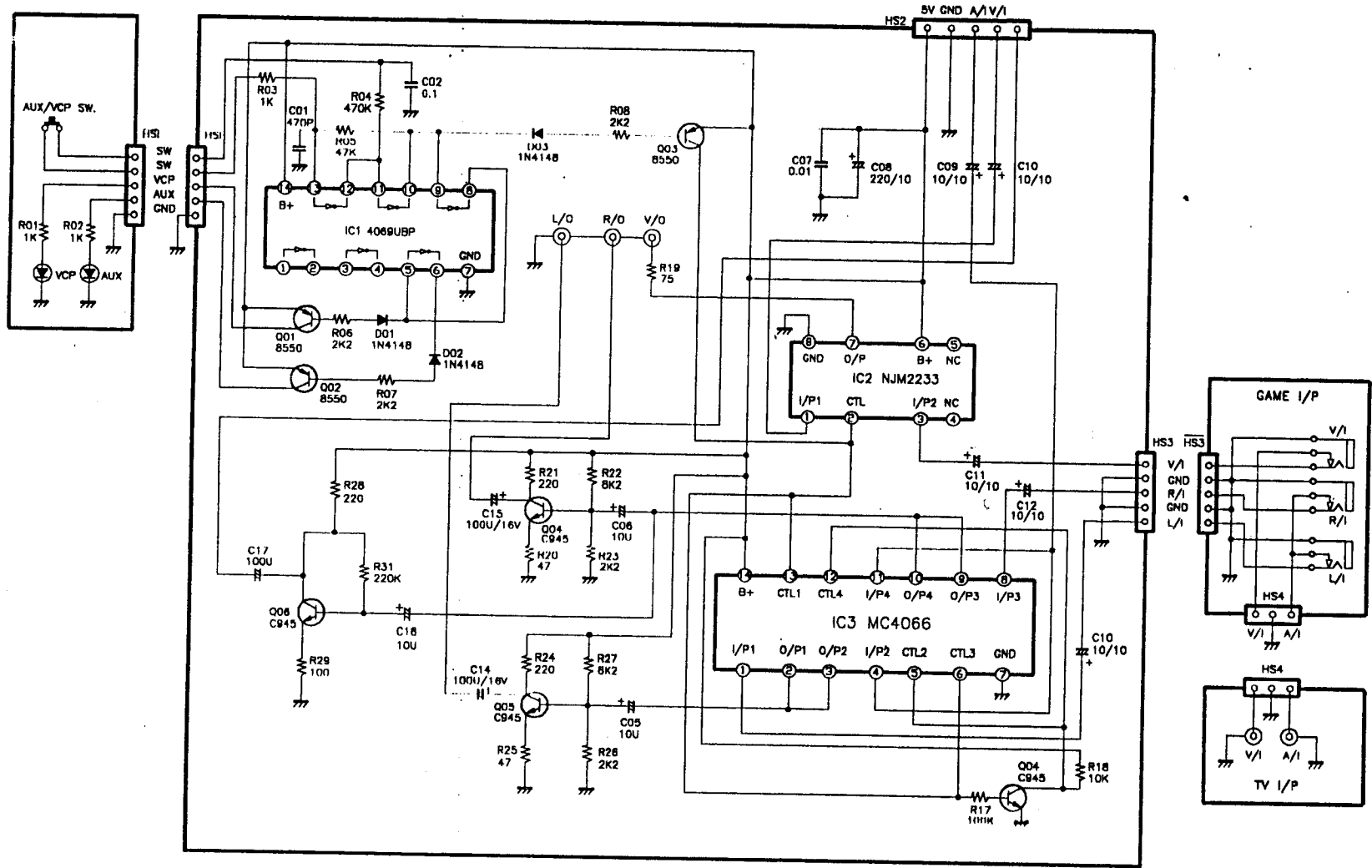
(H) 1V/200mS
Pin4 of IPT01

SECTION 7. μ -COM PORT

No.	Port	I/O	Port Name	Port Function	Initial
1	P40	O	V. CLK	VIDEO SERIAL CLOCK	
2	P41	O	V. DATA	VIDEO SERIAL DATA	
3	P42	O	SP(L), EP(M), LP(H)		
4	P43	O	AMUTE_H	AUDIO MUTE OUTPUT	
5	P44	O	PWR ON (L)	POWER ON (L) OUTPUT	
6	P45	I	OPTION PORT	AUTO REPEAT (L) / NO AUTO REPEAT(H) OPTION PORT	
	P46	I	T_REEL_P	TAKE UP REEL PULSE INPUT	
8	P47	I	C. SYNC	COMPOSITE SYNC INPUT FOR SYNC DETECT	
9	P30	O	SLOW STEP	SLOW STEP OUTPUT	
10	P31	O	CAP I CTL (L)	CAPSTAN CURRENT LIMIT CONTROL OUTPUT	
11	P32	O	CAP REV (H)	CAPSTAN ROTATE DIRECTION OUTPUT	
12	P33	I	C. SYNC	COMPOSITE SYNC INPUT(REC -> REFERENCE)	
13	P34	I	REMOTE	REMOCON SIGNAL INPUT	
14	P35	I	S_REEL_P	SUPPLY REEL PULSE INPUT	
15	P36	I	V. SYNC	VERTICAL SYNC INPUT FOR NTSC/PAL SEL.	
16	P37	O	PB(L)		
17	P64	I	D. FG	DRUM FG INPUT	
18	P65	I	D. PG	DRUM PG INPUT	
19	P66	I	C. FG	CAPSTAN FG INPUT	
20	P67	I	PB. CTL	PLAY BACK CONTROL SIGNAL INPUT	
21	TEST	I		Vcc (+5V)	
22	P00	O	QV. SYNC	QUASI V. SYNC OUTPUT IN SPECIAL PB MODE	
23	P01	O	V. SWP	VIDEO HEAD SWITCHING PULSE OUTPUT	
24	P02	O	A. SWP	AUDIO HEAD SWITCHING PULSE OUTPUT	
25	P03	O	PWR/STB	LED	POWER / STAND-BY LED OUTPUT
26	P04	O	Rewind (L)	LED	REWIND LED OUTPUT
27	P05	O	Play	LED	PLAY LED OUTPUT
28	P06	O	FF (R)	LED	FAST FORWARD LED OUTPUT
29	P07	O	Cassette-in	LED	Cassette-in LED OUTPUT
30	PWM0	O	D. PWM		DRUM PWM OUTPUT
31	PWM1	O	C. PWM		CAPSTAN PWM OUTPUT
32	VSS	I	GND		GND

No	Port	I/O	Port Name	Port Function	Initial
33	P27	O	Auto Repeat LED	Auto Repeat LED OUTPUT	
34	P26	O	Record LED	Record LED OUTPUT	
35	P25	O	TV(H)/VCR(L) LED	TV / VCR LED OUTPUT	
36	P24	O	EE (L)	EE MODE OUTPUT	
37	P23	O	TRICK (H)	SPECIAL PB MODE	
38	P22	O	HIFI_CLK	GND	
39	P21	O	TV(H)/VCR(L)	INPUT SELECTION OUTPUT	
40	P20	O	REC CTL	RECORD CONTROL SIGNAL OUTPUT	
41	P10	O	LM ON (H)	LOADING MOTOR DRIVE LOGIC	
42	P11	O	LM +/-	LOADING MOTOR DRIVE LOGIC	
43	P12	O	60Hz / 50Hz	NTSC OR PAL DETECT OUTPUT	
44	P13	O	REC (H)	REC MODE OUTPUT	
45	CLK		NOT USED		
46	RESET	I	RESET	RESET INPUT	
47	X1	I	OSC IN	10MHz OSC INPUT	
48	X2	O	OSC OUT	10MHz OSC OUTPUT	
49	Vss	I	GND	GND	
50	P63	I			
51	P62	I	KEY 3	for wired remocon(stop, play, ff. fr)	
52	P61	I	T.START (L)	START SENSOR INPUT	
53	P60	I	T.END (L)	END SENSOR INPUT	
54	P57	I	CAM 1	CAM Input 1 (CAM A,B,D)	
55	P56	I	CAM 2	CAM Input 2 (CAM C,REC safety)	
56	P55	I	KEY 1	KEY Input 1 (pwr, st/ej, a/r, ply)	
57	P54	I	KEY 2	KEY Input 2 (rec, rew, ff, pas/stl)	
58	P53	I	TRK DLY	PATH ADJUST INPUT	
59	P52	I	PG DLY	PG DELAY ADJUST INPUT	
60	P51	I	ENVE. DET	DC ENVE: INPUT FOR AUTO TRACKING	
61	P50	I	OPTINON 1	DRUM & NTSC/PAL/AUTO SELECTION INPUT	
62	Vref	I	AVcc	A/D CONVERTER REFERENCE VOLTAGE	
63	A. GND	I	GND	A/D CONVERTER GND	
64	Vcc	I	Vcc	Vcc (+5V)	



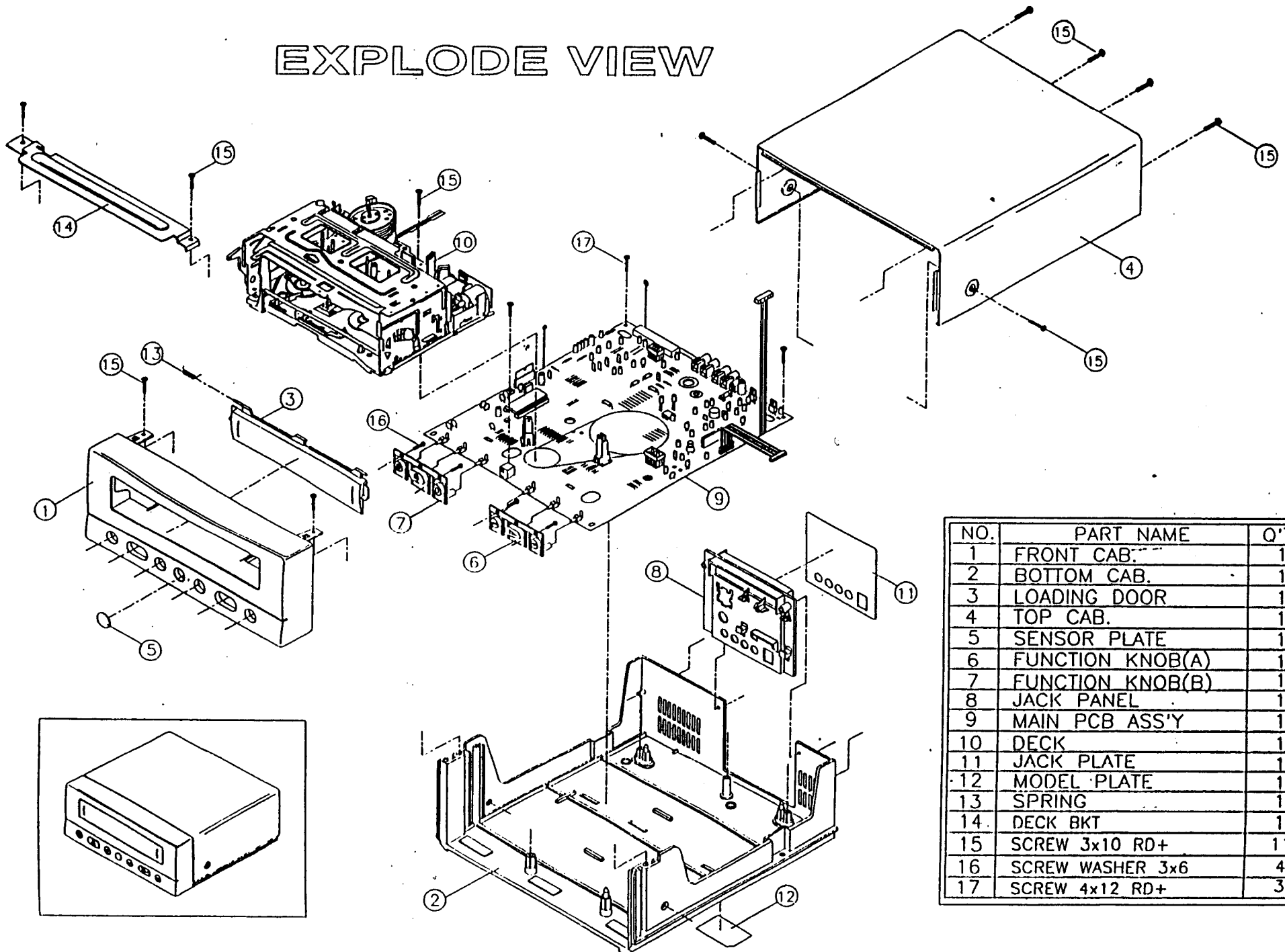


SHENZHEN ACTION ELECTRONICS CO., LTD.

TITLE: VCR-752 AUX (GAME & TV) CONTROL

REVISION	MOD RECORD	DRAWING NO.
REV. 0	1999/07/05	05-H6-1225
REV. 1		REV. 0
REV. 2		SH6

EXPLODE VIEW



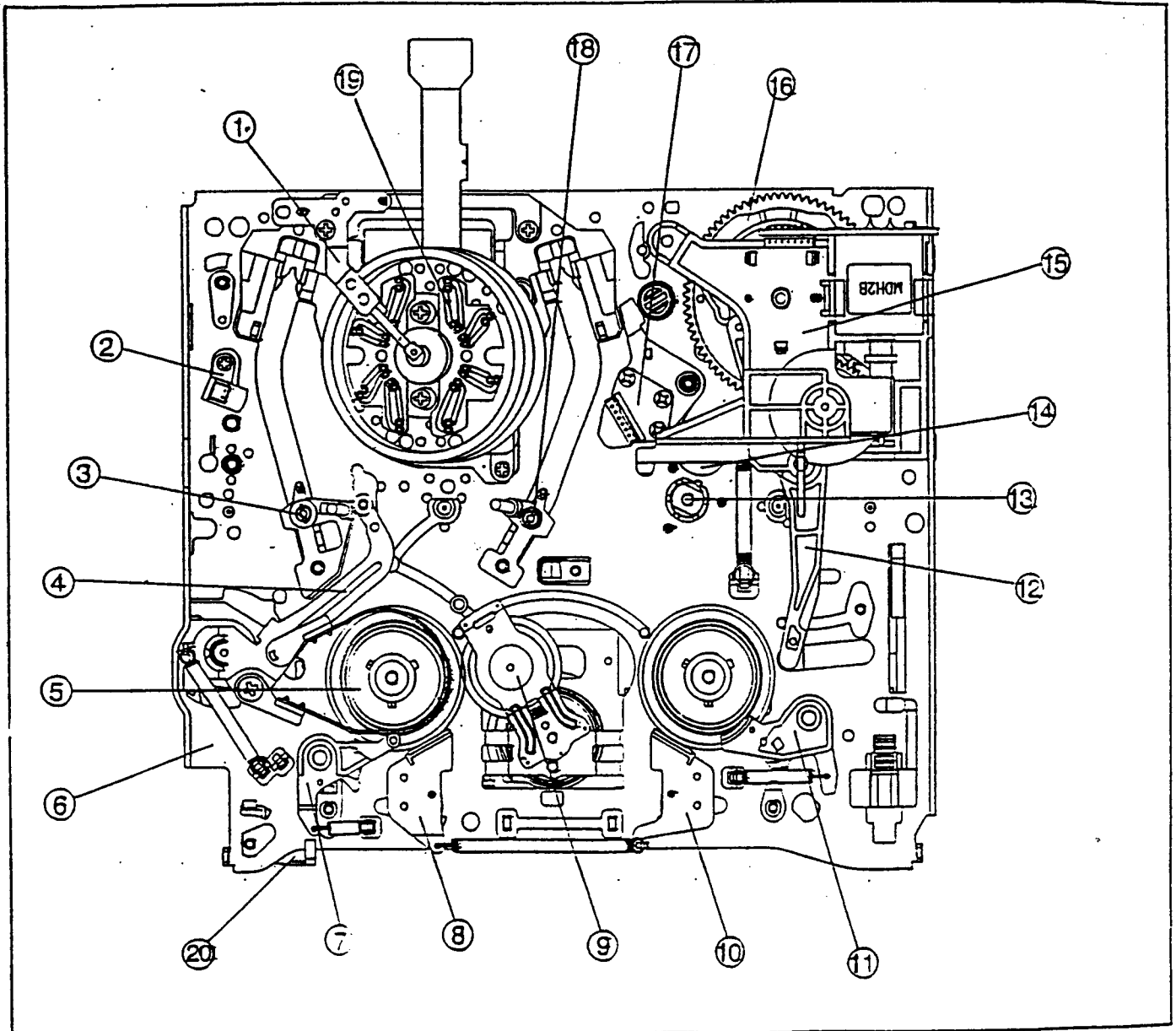
NO.	PART NAME	Q'TY
1	FRONT CAB.	1
2	BOTTOM CAB.	1
3	LOADING DOOR	1
4	TOP CAB.	1
5	SENSOR PLATE	1
6	FUNCTION KNOB(A)	1
7	FUNCTION KNOB(B)	1
8	JACK PANEL	1
9	MAIN PCB ASS'Y	1
10	DECK	1
11	JACK PLATE	1
12	MODEL PLATE	1
13	SPRING	1
14	DECK BKT	1
15	SCREW 3x10 RD+	11
16	SCREW WASHER 3x6	4
17	SCREW 4x12 RD+	3

SECTION 8. ASSEMBLING DIAGRAM & CHECK FOR THE MAJOR PARTS

8-1 ASSEMBLING DIAGRAM

8-1-a) ASSEMBLING DIAGRAM OF DECK ASS'Y:

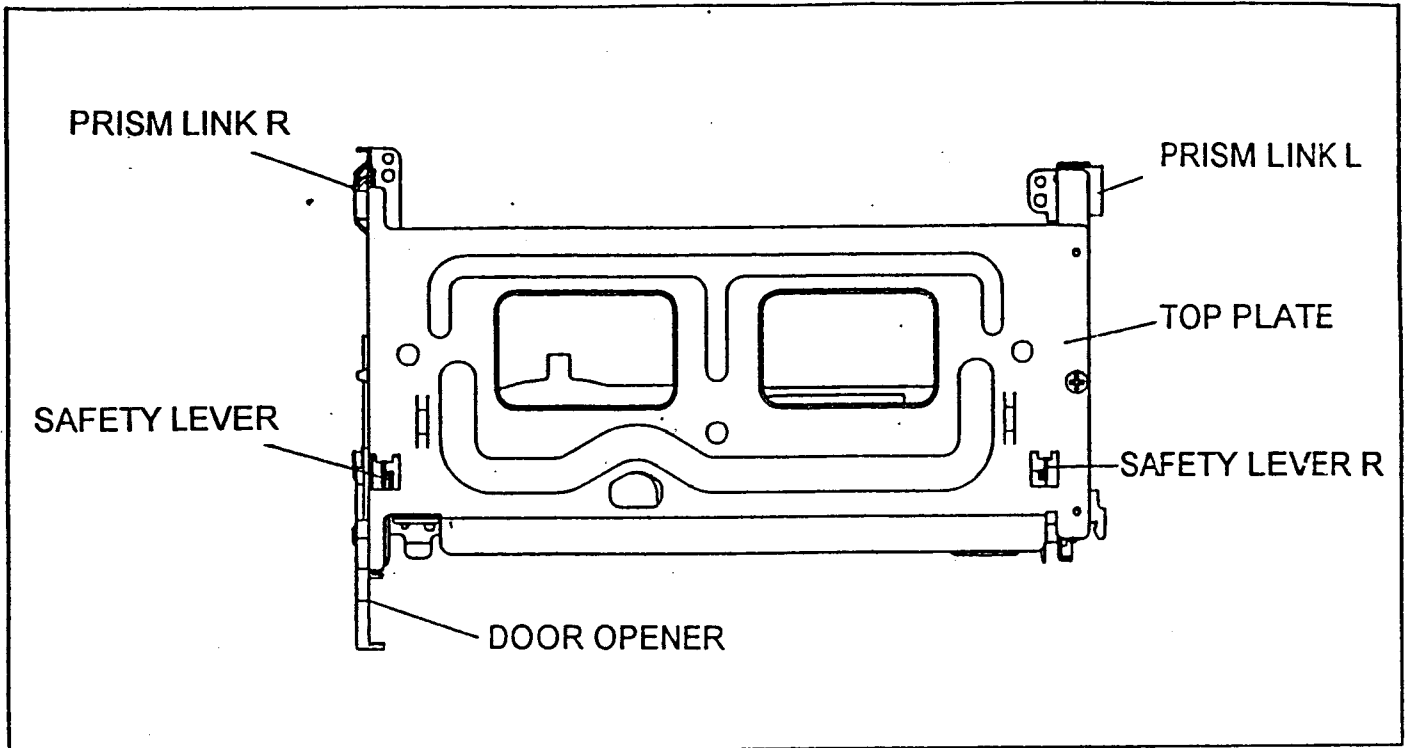
TOP VIEW



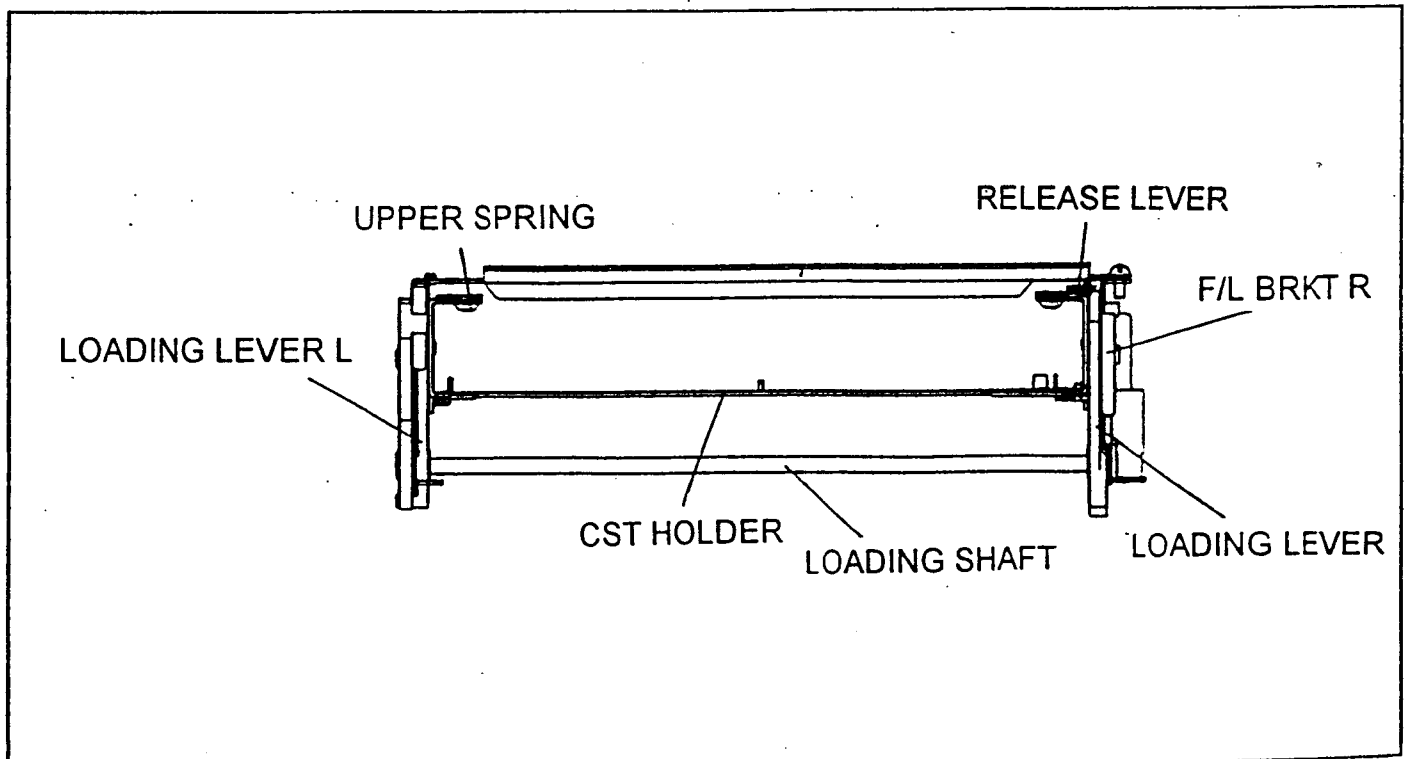
- | | |
|----------------------------|-----------------------------|
| 1. EARTH BRKT ASS'Y | 11. T-SUB BRAKE ASS'Y |
| 2. FE HEAD | 12. RELAY LEVERL |
| 3. S SLANT POLE ASS'Y | 13. CAPSTAN MOTOR |
| 4. TNSION BAND ASS'Y | 14. PINCH LEVER TOTAL ASS'Y |
| 5. REEL TABLE | 15. L/C BRKT TOTAL ASS'Y |
| 6. MAIN BASE ASS'Y | 16. CAM GEAR |
| 7. S SUB BRAKE ASS'Y | 17. A/C HEAD TOTAL ASS'Y |
| 8. S MAIN BRAKE ASS'Y | 18. T SLANT POLE ASS'Y |
| 9. IDLER PLATE TOTAL ASS'Y | 19. DRUM TOTAL ASS'Y |
| 10. T MAIN BRAKE ASS'Y | 20. RECORD SAFETY LEVER |

8-1-b) PARTS LOCATION OF FRONT LOADING ASS'Y

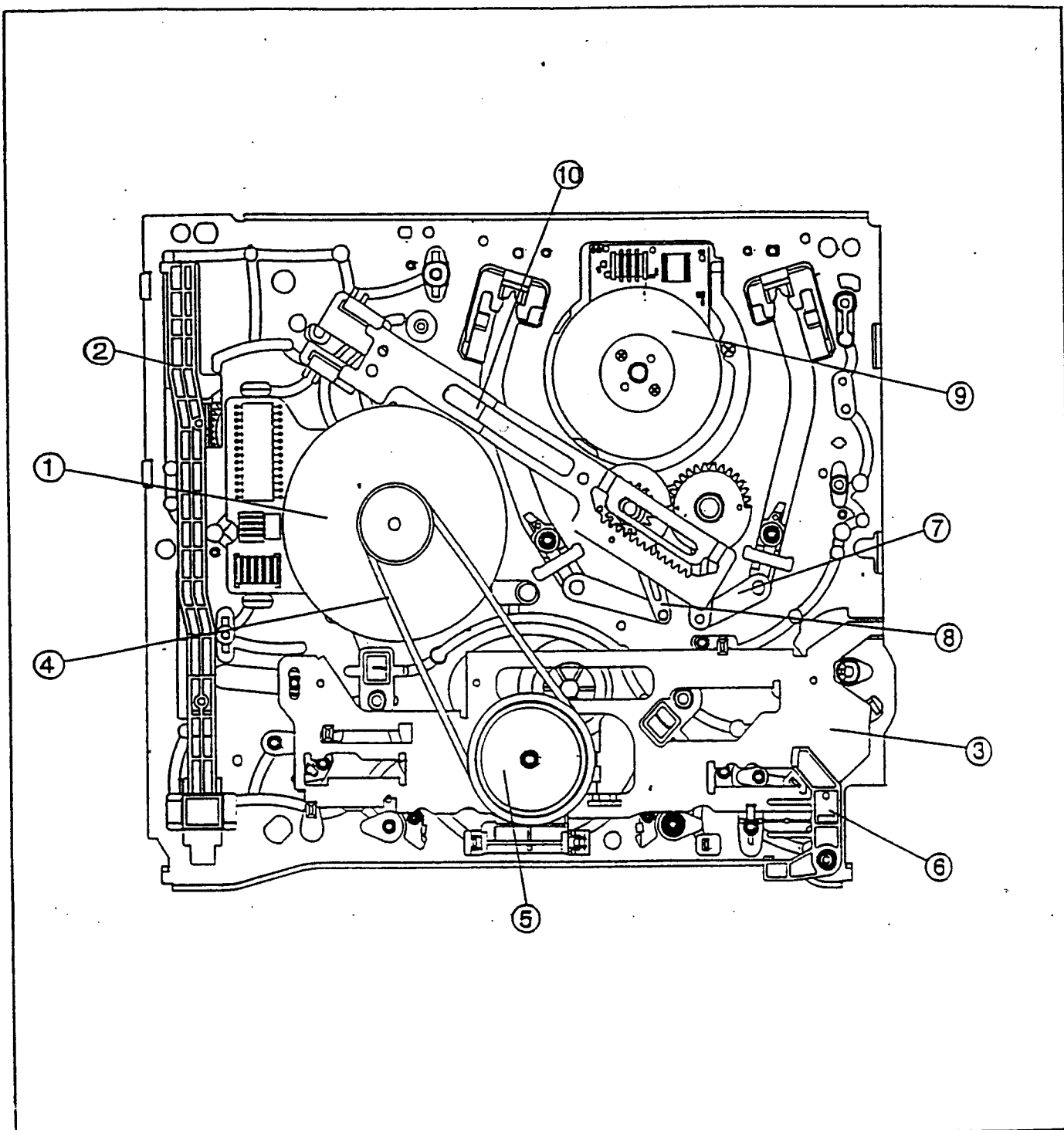
TOP VIEW



BOTTOM VIEW



BOTTOM VIEW

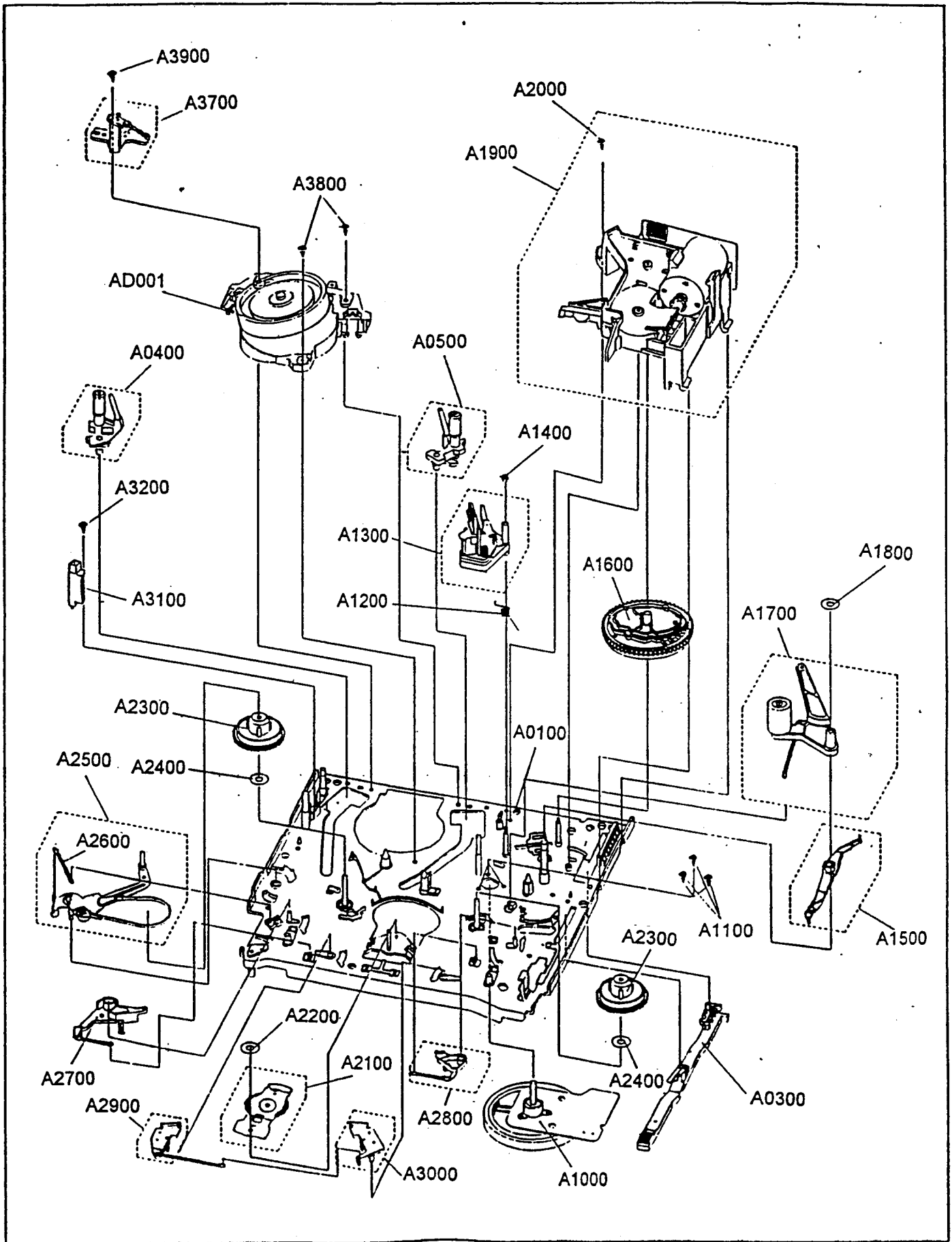


- 1. CAPSTAN MOTOR
- 2. F/L RACK
- 3. CONNECT PLATE
- 4. REEL BELT
- 5. REEL GEAR TOTAL ASS'Y

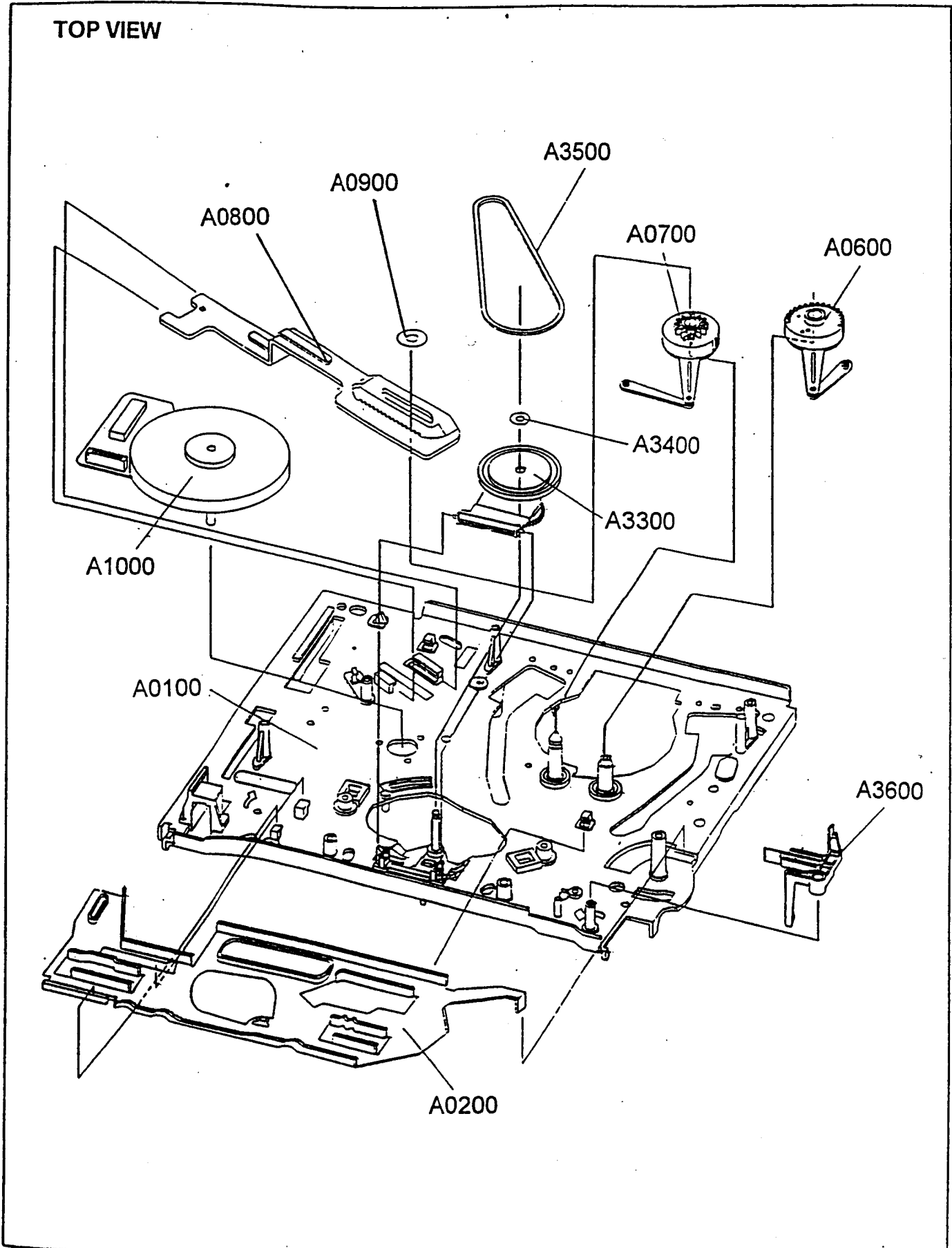
- 6. RECORD SAFETY LEVER
- 7. L LOAD ASS'Y
- 8. R LOADING ASS'Y
- 9. DRUM TOTAL ASS'Y
- 10. LOADING RACK ASS'Y

SECTION 9. EXPLODED VIEW AND PARTS LIST

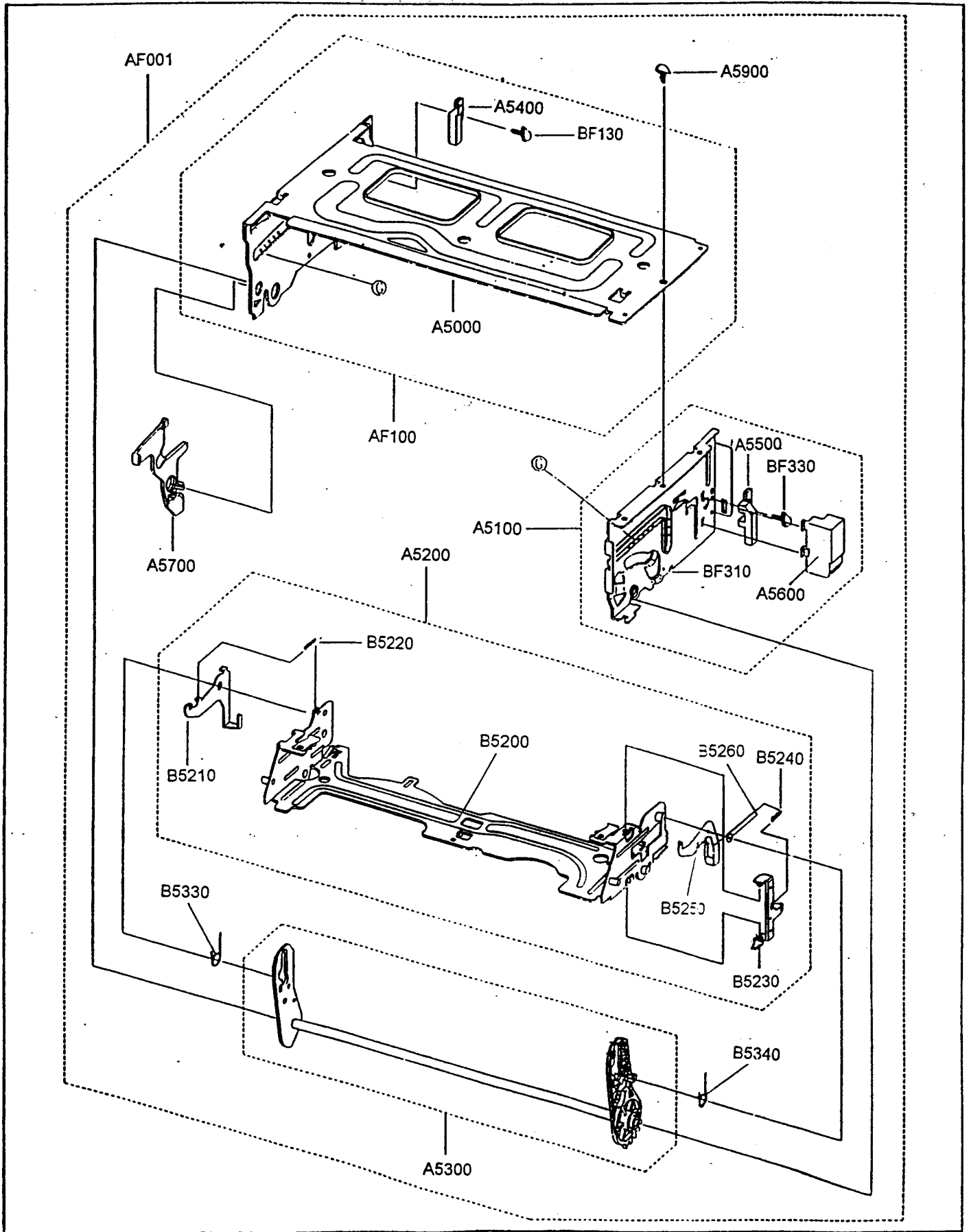
9-1 EXPLODED VIEW OF DECK ASS'Y (TOP VIEW):



9-2 EXPLODED VIEW OF DECK ASS'Y (BOTTOM VIEW):



9-3 EXPLODE VIEW OF F/L ASS'Y:



9-4 PARTS LIST OF DECK ASS'Y

LOC.	STOCK NO.	PART NAME	DESCRIPTION
M01	97PC0048D-	DECK TOTAL AS	DRN-7203 (HT 2HD EP NON-DLC)
AD001	97PA255101	DRUM PRICE AS	CYN-K210H (HT 2HD EP NON-DLC)
AF001	97SA251400	F/L AS	K-MECHA
AM001	97SA252100	DECK AS	K-MECHA
A0100	97SA309700	MAIN BASE AS	K-MECHA
A0200	97S0901400	PLATE CONNECT	SECC T1.0
A0300	97S2701800	RACK F/L	PBT (KP213G30) NATURAL
A0400	97SA310900	S SLANT POLE AS	K-MECHA
A0500	97SA311000	T SLANT POLE AS	K-MECHA
A0600	97SA308500	L LOADING AS	K-MECHA
A0700	97SA308600	R LOADING AS	K-MECHA
A0800	97SA308400	LOADING RACK AS	K-MECHA
A0900	97S3101800	WASHER POLY	K-MECHA
A1000	97S8100700	MOTOR CAPSTAN	F2QTB12
A1000	97S8100800	MOTOR CAPSTAN	DMVCMC06D
A1100	97S3102000	SCREW TAPTTE	P-TTTE 2.6X7 MFZN
A1200	97S3004000	SPG AC HEAD	SUS304WPB D1.2
A1300	97SA311200	AC HEAD AS	K-MECHA
A1400	73SA311201	NUT HEX	6N-1-5 MFZN
A1500	97S2604100	LEVER RELAY	ZDC-2
A1600	97S2701400	GEAR CAM	DELIN 100 BLACK

LOC.	STOCK NO.	PART NAME	DESCRIPTION
A1700	97SA310700	PINCH LEVER TOT AS	K-MECHA
A1800	97S3117300	WASHER POLY	D3.6XD8XT0.5
A1900	97SA310400	L/C BRKT TOT AS	K-MECHA
A2000	7274300611	SCREW TAPTITE	TT3 RND 3X6 MFZN
A2100	97SA311600	IDLER PLATE AS	K-MECHA
A2200	97S3108200	POLYWASHER	D2.6XD8XT0.5
A2300	97S2901600	TABLE REEL	POM (KEPITAL F20) BLACK
A2400	97S3903600	POLY SLIDER	D3.1XD6XT0.5
A2500	97SA310800	TENSION BAND AS	K-MECHA
A2600	97S3003500	SPG TENSION	SWPB D0.4
A2700	97SA309300	S SUB BRAKE AS	K-MECHA
A2800	97SA309400	T SUB BRAKE AS	K-MECHA
A2900	97SA309100	S MAIN BRAKE AS	K-MECHA
A3000	97SA309200	T MAIN BRAKE AS	K-MECHA
A3100	97S8012900	HEAD FE	HVFHF0004AK
A3200	97S3102100	SCREW TAPTITE	P-TITE 2.6X10 MFZN
A3300	97SA309000	REEL GEAR TOT AS	K-MECHA
A3400	97S3108200	POLYWASHER	D2.6XD6.0XT0.5
A3500	97S5500400	BELT REEL	CR73
A3600	97S263500	LEVER RECORD SAFETY	F20-03 NATURAL
A3700	97SB38110	EARTH BRACKET AS	G-MECHA, K-MECHA
A3800	7274301011	SCREW TAPTITE	TT3 RND 3X10 MFZN
A3900	7274301211	SCREW TAPTITE	TT3 RND 3X10 MFZN
A4000	7274300611	SCREW TAPTITE	TT3 RND 3X10 MFZN
A4100	2291129004	OIL LUBRICANT	OA-305A
A4200	2291131304	GREASE	DELUXE 5221G (NAM-YOUNG)

MEMO

[Empty memo body box]

深圳忆声电子有限公司
13.8.6 带单价的BOM报表(CUST)

页号: 1

ITEM	TIER	PARTS NO	DISCRIPTION	QTY	UNIT PRICE	AMOUNT
1	父零件	VCR-752A (TE -			PS	
1		1 02H60320	VCR-752A (TEAC)FINAL AS	1	EA	0
2		0.2 02H61311	VCR-752A MAIN PCB ASS'Y	1	EA	0
3	..3	03H61311	VCR-752A MAIN PCB ASS'Y	1	EA	0
4	...4	04H61311	VCR-752A MAIN PCB ASS'Y	1	EA	0
55	10031027	IC STV5742 16PIN	1	PS 0.877	0.877
65	10200205	IC HA118201CF 56PIN	1	PS 4.909	4.909
75	10221026	IC MSM7470-71MS 8PIN	1	PS 2.040	2.040
85	16621101	RESISTOR CP 100 1/10W J	2	PS 0.003	0.005
95	16621102	RESISTOR CP 1K 1/10W J	5	PS 0.003	0.013
105	16621102	RESISTOR CP 1K 1/10W J	2	PS 0.003	0.005
115	16621103	RESISTOR CP 10K 1/10W J	5	PS 0.003	0.013
125	16621103	RESISTOR CP 10K 1/10W J	1	PS 0.003	0.003
135	16621104	RESISTOR CP 100K 1/10W	1	PS 0.003	0.003
145	16621105	RESISTOR CP 1M 1/10W J	2	PS 0.003	0.005
155	16621112	RESISTOR 1K1 1/10W CP	1	PS 0.003	0.003
165	16621122	RESISTOR CP 1K2 1/10W J	2	PS 0.003	0.005
175	16621123	RESISTOR CP 12K 1/10W J	2	PS 0.003	0.005
185	16621152	RESISTOR CP 1K5 1/10W J	2	PS 0.003	0.005
195	16621153	RESISTOR CP 15K 1/10W J	2	PS 0.003	0.005
205	16621154	RESISTOR 150K 1/10W CP	2	PS 0.003	0.005
215	16621182	RESISTOR CP 1K8 1/10W J	1	PS 0.003	0.003
225	16621183	RESISTOR CP 18K 1/10W J	1	PS 0.003	0.003
235	16621221	RESISTOR CP 220 1/10W J	2	PS 0.003	0.005
245	16621222	RESISTOR CP 2K2 1/10W J	5	PS 0.003	0.013
255	16621223	RESISTOR CP 22K 1/10W J	1	PS 0.003	0.003
265	16621225	RESISTOR 2.2M 1/10W	1	PS 0.003	0.003
275	16621243	RESISTOR 24K 1/10W CP	1	PS 0.003	0.003
285	16621271	RESISTOR CP 270 1/10W J	1	PS 0.003	0.003
295	16621272	RESISTOR CP 2K7 1/10W J	1	PS 0.003	0.003
305	16621273	RESISTOR CP 27K 1/10W J	1	PS 0.003	0.003
315	16621331	RESISTOR CP 330 1/10W J	2	PS 0.003	0.005
325	16621391	RESISTOR 390 1/10W CP 0	2	PS 0.003	0.005
335	16621393	RESISTOR CP 39K 1/10W J	1	PS 0.003	0.003
345	16621434	RESISTOR 430K 1/10W CP	1	PS 0.003	0.003
355	16621471	RESISTOR CP 470 1/10W J	3	PS 0.003	0.008
365	16621472	RESISTOR CP 4.7K 1/10W	6	PS 0.003	0.016
375	16621472	RESISTOR CP 4.7K 1/10W	3	PS 0.003	0.008
385	16621473	RESISTOR CP 47K 1/10W J	1	PS 0.003	0.003
395	16621474	RESISTOR CP 470K 1/10W	1	PS 0.003	0.003
405	16621561	RESISTOR CP 560 1/10W J	1	PS 0.003	0.003
415	16621562	RESISTOR CP 5K6 1/10W J	3	PS 0.003	0.008
425	16621682	RESISTOR CP 6K8 1/10W J	1	PS 0.003	0.003
435	16621683	RESISTOR 68K 1/10W CP	2	PS 0.003	0.005
445	16621750	RESISTOR CP 75 1/10W J	2	PS 0.003	0.005
455	16621752	RESISTOR 7K5 1/10W CP	3	PS 0.003	0.008

深圳忆声电子有限公司
13.8.6 带单价的BOM报表(CUST)

页号: 2

ITEM	TIER	PARTS NO	DISCRIPTION	QTY	UNIT PRICE	AMOUNT
465	16621821	RESISTOR CP 820 1/10W J	2	PS 0.003	0.005
475	16621911	RESISTOR 910 OHM 1/10W	1	PS 0.003	0.003
485	16621912	RESISTOR 9K1 1/10W CP	1	PS 0.003	0.003
495	28111050	CAPACITOR CP 5P J 10V	3	PS 0.012	0.035
505	28111080	CERAMIC CAP 8PF	1	PS 0.012	0.012
515	28111100	CERAMIC CAP 10P/10V	1	PS 0.012	0.012
525	28111120	CAPACITOR CP 12P J 10V	3	PS 0.012	0.036
535	28111121	CERAMIC CAP 120P/50V CP	2	PS 0.014	0.028
545	28111150	CAPACITOR CP 15P J 10V	1	PS 0.012	0.012
555	28111151	CERAMIC CAP 150P/10V CP	1	PS 0.014	0.014
565	28111181	CERAMIC CAP 180PF	3	PS 0.013	0.039
575	28111221	CERAMIC CAP 220/50V CP	4	PS 0.016	0.062
585	28111300	CERAMIC CAP 30P/10V CP	2	PS 0.012	0.025
595	28111330	CERAMIC CAP 33P/10V CP	3	PS 0.012	0.036
605	28111331	CERAMIC CAP 330PF/50V C	1	PS 0.016	0.016
615	28111430	CERAMIC CAP 43P/10V CP	1	PS 0.012	0.012
625	28111471	CAPACITOR CP 470PJ 10V	2	PS 0.018	0.037
635	28112102	CERAMIC CAP 0.001U/10V	3	PS 0.011	0.034
645	28112182	CERAMIC CAP 1800P/10V C	1	PS 0.014	0.014
655	28114103	CAPACITOR CP 0.01U Z 10	6	PS 0.011	0.069
665	28114103	CAPACITOR CP 0.01U Z 10	7	PS 0.011	0.080
675	28114103	CAPACITOR CP 0.01U Z 10	6	PS 0.011	0.069
685	28114103	CAPACITOR CP 0.01U Z 10	5	PS 0.011	0.057
695	28114104	CAPACITOR CP 0.1UF Z 10	6	PS 0.013	0.080
705	28114104	CAPACITOR CP 0.1UF Z 10	6	PS 0.013	0.080
715	28114104	CAPACITOR CP 0.1UF Z 10	6	PS 0.013	0.080
725	28114223	CHIP CERAMIC CAP .022U/	2	PS 0.013	0.025
73	...4	12011010	TR KTC3198Y(1815Y)	5	PS 0.030	0.148
74	...4	12012002	TR KTA1266Y(1015Y)	3	PS 0.030	0.089
75	...4	12012003	TR KSR2002TA/KRA102M	1	PS 0.034	0.034
76	...4	12021003	TR 2SC945K TO	2	PS 0.024	0.048
77	...4	12021050	TR KTC3205Y(2236Y)	1	PS 0.099	0.099
78	...4	12022033	2TR KTA1273Y(96	1	PS 0.099	0.099
79	...4	12041044	TR KSR1004/KRC104M	6	PS 0.034	0.201
80	...4	13031000	DIODE 1N4148 TAP 52 J	6	PS 0.008	0.050
81	...4	13061120	DIODE HZ12-1 12V J	1	PS 0.021	0.021
82	...4	13061519	DIODE HZ5C-2/1 5.1V J	1	PS 0.022	0.022
83	...4	13061569	DIODE HZ6B-1 5.6V	1	PS 0.021	0.021
84	...4	13061629	DIODE HZ6C-2 6.2V J	1	PS 0.022	0.022
85	...4	16231101	RESISTOR CF 100 1/8W J	2	PS 0.002	0.004
86	...4	16231102	RESISTOR CF 1K 1/8W J	6	PS 0.002	0.013
87	...4	16231102	RESISTOR CF 1K 1/8W J	6	PS 0.002	0.013
88	...4	16231102	RESISTOR CF 1K 1/8W J	4	PS 0.002	0.009
89	...4	16231103	RESISTOR CF 10K 1/8W J	5	PS 0.002	0.011
90	...4	16231103	RESISTOR CF 10K 1/8W J	6	PS 0.002	0.013
91	...4	16231104	RESISTOR CF 100K 1/8W J	1	PS 0.002	0.002

深圳忆声电子有限公司
13.8.6 带单价的BOM报表(CUST)

页号: 3

ITEM	TIER	PARTS NO	DISCRIPTION	QTY	UNIT PRICE	AMOUNT
92	...4	16231121	RESISTOR CF 120 1/8W J	1	PS 0.002	0.002
93	...4	16231123	RESISTOR CF 12K 1/8W J	1	PS 0.002	0.002
94	...4	16231151	RESISTOR CF 150 1/8W J	2	PS 0.002	0.004
95	...4	16231152	RESISTOR CF 1.5K 1/8W J	1	PS 0.002	0.002
96	...4	16231153	RESISTOR CF 15K 1/8W J	2	PS 0.002	0.004
97	...4	16231154	RESISTOR CF 150K 1/8W J	2	PS 0.002	0.004
98	...4	16231161	RESISTOR 160 OHM 1/8W	2	PS 0.002	0.004
99	...4	16231181	RESISTOR CF 180 1/8W J	6	PS 0.002	0.013
100	...4	16231181	RESISTOR CF 180 1/8W J	1	PS 0.002	0.002
101	...4	16231182	RESISTOR CF 1.8K 1/8W J	2	PS 0.002	0.004
102	...4	16231201	RESISTOR CF 200 1/8W J	2	PS 0.002	0.004
103	...4	16231202	RESISTOR CF 2K 1/8W J	3	PS 0.002	0.006
104	...4	16231203	RESISTOR CF 20K 1/8W T	2	PS 0.002	0.004
105	...4	16231221	RESISTOR CF 220 1/8W J	3	PS 0.002	0.006
106	...4	16231222	RESISTOR CF 2.2K 1/8W J	1	PS 0.002	0.002
107	...4	16231271	RESISTOR CF 270 1/8W J	1	PS 0.002	0.002
108	...4	16231272	RESISTOR CF 2.7K 1/8W J	2	PS 0.002	0.004
109	...4	16231273	RESISTOR CF 27K 1/8W J	2	PS 0.002	0.004
110	...4	16231331	RESISTOR CF 330 1/8W J	1	PS 0.002	0.002
111	...4	16231332	RESISTOR CF 3.3K 1/8W J	2	PS 0.002	0.004
112	...4	16231333	RESISTOR CF 33K 1/8W J	1	PS 0.002	0.002
113	...4	16231391	RESISTOR CF 390 1/8W J	1	PS 0.002	0.002
114	...4	16231392	RESISTOR CF 3.9K 1/8W J	2	PS 0.002	0.004
115	...4	16231432	RESISTOR 4K3 1/8W	1	PS 0.002	0.002
116	...4	16231472	RESISTOR CF 4.7K 1/8W K	2	PS 0.002	0.004
117	...4	16231473	RESISTOR CF 47K 1/8W K	1	PS 0.002	0.002
118	...4	16231511	RESISTOR CF 510 1/8W J	1	PS 0.002	0.002
119	...4	16231562	RESISTOR CF 5.6K 1/8W J	1	PS 0.002	0.002
120	...4	16231681	RESISTOR CF 680 1/8W J	2	PS 0.002	0.004
121	...4	16231682	RESISTOR CF 6.8K 1/8W J	1	PS 0.002	0.002
122	...4	16231822	RESISTOR CF 8.2K 1/8W J	1	PS 0.002	0.002
123	...4	16231912	RESISTOR CF 9.1K 1/8W T	1	PS 0.002	0.002
124	...4	27151221	CAPACITOR CC 220P J 50V	1	PS 0.011	0.011
125	...4	27152182	CAPACITOR CC 1800PF/50V	1	PS 0.008	0.008
126	...4	27154103	50v	4	PS 0.007	0.029
127	...4	27154104	CAPACITOR CC 0.1U N 50V	6	PS 0.016	0.097
128	...4	27154104	CAPACITOR CC 0.1U N 50V	6	PS 0.016	0.097
129	...4	27352103	CAPACITOR PE 0.01U K100V	1	PS 0.017	0.017
130	...4	27352123	CAPACITOR PE .012U T	1	PS 0.020	0.020
131	...4	27352152	CAPACITOR PE .0015UF K	1	PS 0.018	0.018
132	...4	27352223	CAPACITOR PE 0.022UK100V	2	PS 0.020	0.040
133	...4	27352332	CAPACITOR PE 0.0033U100V	1	PS 0.018	0.018
134	...4	27352472	CAPACITOR PE 0.0047U100V	1	PS 0.017	0.017
135	...4	27352473	CAPACITOR PE 0.047UF K	4	PS 0.022	0.088
136	...4	27352682	CAPACITOR PE 0.0068UF J	2	PS 0.016	0.031
137	...4	27352822	CAPACITOR PE .0082	1	PS 0.016	0.016

深圳忆声电子有限公司
13.8.6 带单价的BOM报表(CUST)

页号: 4

ITEM	TIER	PARTS NO	DISCRIPTION	QTY	UNIT PRICE	AMOUNT
138	...4	27913471	CAPACITOR 470U/10V	1	PS 0.034	0.034
139	...4	27923101	CAPACITOR CE 100U M 16	1	PS 0.030	0.030
140	...4	27923470	CAPACITOR 47U/16V	5	PS 0.018	0.089
141	...4	27923470	CAPACITOR 47U/16V	5	PS 0.018	0.089
142	...4	27923470	CAPACITOR 47U/16V	5	PS 0.018	0.089
143	...4	27923470	CAPACITOR 47U/16V	3	PS 0.018	0.053
144	...4	27933220	CAPACITOR 22U/25V	1	PS 0.018	0.018
145	...4	27953100	CAPACITOR 10U/50V	2	PS 0.018	0.036
146	...4	27953108	CAPACITOR 0.1U/50V	3	PS 0.017	0.051
147	...4	27953109	CAPACITOR 1U/50V	5	PS 0.017	0.085
148	...4	27953109	CAPACITOR 1U/50V	1	PS 0.017	0.017
149	...4	27953228	CAPACITOR 0.22U/50V M	2	PS 0.017	0.034
150	...4	27953229	CAPACITOR 2.2U/50V M	2	PS 0.017	0.034
151	...4	27953339	CAPACITOR 3.3U/50V M	4	PS 0.017	0.068
152	...4	27953478	CAPACITOR 0.47U/50V M	3	PS 0.017	0.051
153	...4	27953479	CAPACITOR 4.7U/50V M	5	PS 0.017	0.085
154	...4	30100050	BARE WIRE 5mm	56	PS 0.000	0.000
155	...4	30100075	BARE WIRE 7.5M	1	PS 0.000	0.000
156	...4	30100075	BARE WIRE 7.5M	54	PS 0.000	0.000
157	...4	30100100	BARE WIRE 10mm	44	PS 0.000	0.000
158	...4	30100125	BARE WIRE 12.5mm	38	PS 0.000	0.000
159	...4	30100150	BARE WIRE 15mm	28	PS 0.000	0.000
160	...4	30100200	BARE WIRE 20M/M	13	PS 0.000	0.000
161	...4	85H61302A	MAIN PCB (94V0)	1	PS 1.631	1.631
162	..3	10041030	IC BA6209 10PIN	1	PS 0.515	0.515
163	..3	10051047A	IC 7806A(JRC)	1	PS 0.252	0.252
164	..3	10091019	IC MC4558/BA4558 DIP 8	1	PS 0.149	0.149
165	..3	10101049	IC MICOM ACN-750-01 64P	1	PS 5.525	5.525
166	..3	10200303	IC BA7790LS 24PIN	1	PS 0.899	0.899
167	..3	10221025	IC KIA7042P 3PIN	1	PS 0.197	0.197
168	..3	12032032	TR KSA614-Y TO-220 PNP	1	PS 0.255	0.255
169	..3	12041002	TR D788CD/2SC2500 TO-92	1	PS 0.100	0.100
170	..3	12055006A	X' TAL 4.433619MHZ	1	PS 0.415	0.415
171	..3	12055028	X' TAL 10MHZ	1	PS 0.294	0.294
172	..3	13031000	DIODE 1N4148 TAP 52 J	2	PS 0.008	0.017
173	..3	13051000	DIODE 1N4001	2	PS 0.011	0.023
174	..3	14010013	PIC-28043SR	1	PS 0.877	0.877
175	..3	14040001	TR PHOTO ST-5811	2	PS 0.122	0.245
176	..3	14040002	SENSOR REEL SG-258S	2	PS 0.394	0.789
177	..3	14040003	LED IR S15312-H /IR481T	1	PS 0.133	0.133
178	..3	16011391	RESISTOR 390 OHM 1/2W	1	PS 0.003	0.003
179	..3	16121331	RESISTOR CF 330 1/4W J	1	PS 0.002	0.002
180	..3	16121519	RESISTOR 5.1OHM 1/4W	1	PS 0.002	0.002
181	..3	16231101	RESISTOR CF 100 1/8W J	1	PS 0.002	0.002
182	..3	16231102	RESISTOR CF 1K 1/8W J	2	PS 0.002	0.004
183	..3	16231103	RESISTOR CF 10K 1/8W J	1	PS 0.002	0.002

深圳忆声电子有限公司
13.8.6 带单价的BOM报表(CUST)

页号: 5

ITEM	TIER	PARTS NO	DISCRIPTION	单位 QTY	UNIT PRICE	AMOUNT
184	..3	16461109K	RESISTER+B3812 1 OHM 1	1	PS 0.011	0.011
185	..3	17233102	CAPACITOR CE 1000UF M 2	1	PS 0.111	0.111
186	..3	18501900	COIL OSC DE0-004	1	PS 0.357	0.357
187	..3	19401100	CHOKE 10UH J MINI	1	PS 0.030	0.030
188	..3	19401101	CHOKE 100UH J MINI	5	PS 0.030	0.148
189	..3	19401120	CHOKE 12UH J MINI	1	PS 0.030	0.030
190	..3	19401180	CHOKE L 18UH 5%	1	PS 0.030	0.030
191	..3	19401181A	CHOKE L 180UH 5%	1	PS 0.041	0.041
192	..3	19401221A	GLOBE CHOKE 220UH K 球	1	PS 0.030	0.030
193	..3	19401270	CHOKE 27UH 5%	1	PS 0.030	0.030
194	..3	19401271A	CHOKE L 270UH 5%	1	PS 0.041	0.041
195	..3	19401330	CHOKE 33UH J MINI	2	PS 0.030	0.059
196	..3	19401471A	CHOKE L 470UH 5%	1	PS 0.041	0.041
197	..3	19401560	CHOKE 56UH	1	PS 0.030	0.030
198	..3	19401680	CHOKE L 68UH 5%	1	PS 0.030	0.030
199	..3	19401681	CHOKE L 680UH 5%	1	PS 0.030	0.030
200	..3	19401820	CHOKE L 82UH 5%	2	PS 0.030	0.059
201	..3	19402223A	CHOKE 22mH K	1	PS 0.136	0.136
202	..3	19421100	CHOKE 10UH J MINI	1	PS 0.036	0.036
203	..3	21761041	SEMI VR 100KB CARBON 6D	1	PS 0.046	0.046
204	..3	21765031	SEMI VR 50KB CARBON 6DH	1	PS 0.046	0.046
205	..3	22420001	SKHHLMO01	5	PS 0.059	0.297
206	..3	22420001	SKHHLMO01	2	PS 0.059	0.119
207	..3	22H60101	REC SW MICRD SPPB62	1	PS 0.116	0.116
208	..3	23010004	FUSE HOLDER 20MM	2	PS 0.013	0.026
209	..3	23054501	JACK DC 4.5D 3A	1	PS 0.051	0.051
210	..3	23060018	JACK RCA VIDEO YELLOW (1	PS 0.107	0.107
211	..3	23060033	JACK RCA W/SW. (RED)	2	PS 0.148	0.296
212	..3	24513001	WAFER 3P 2mm STRAIGHT	1	PS 0.059	0.059
213	..3	24515001	WAFER 5P 2mm STRAIGHT	1	PS 0.066	0.066
214	..3	24516001	WAFER 6P 2mm STRAIGHT	1	PS 0.083	0.083
215	..3	24AA0621	CONN B/B TKC-GP PLUG 6P	1	PS 0.112	0.112
216	..3	24AA1021	CONN B/B TKC-GP PLUG 10	1	PS 0.196	0.196
217	..3	24H62001	CONN AS 2H-2S 90MM	1	PS 0.099	0.099
218	..3	24H64001	CONN HOUSING 4PIN	1	PS 0.043	0.043
219	..3	24H66001A	CONN AS 6H-6S 160MM (NE	1	PS 0.513	0.513
220	..3	24H67001	CONN AS(Y10712) 7H-7S 1	1	PS 0.394	0.394
221	..3	24H70104	HOUSING IPIN	1	EA 0.026	0.026
222	..3	25032021	FUSE T2A/250V 5.2*20 VD	1	PS 0.085	0.085
223	..3	29325002	RED LED 5D	3	PS 0.061	0.184
224	..3	29355003	GREEN LED 5D	4	PS 0.061	0.245
225	..3	30014066	WIRE UL#26 6/6 YW	1	PS 0.004	0.004
226	..3	31040010	NYLON TIE 10CM	1	PS 0.003	0.003
227	..3	51H60001	COVER SHI PLT	1	PS 0.037	0.037
228	..3	69413006	SCREW MTP 3*6 RD+	2	PS 0.002	0.004
229	..3	80010001	SOLDER 63%-37% 锡棒	0.02	KG 7.988	0.160
230	..3	80010002	SOLDER 60%-40% 锡丝	0.0168	KG 8.193	0.138

深圳忆声电子有限公司
13.8.6 带单价的BOM报表(CUST)

页号: 6

ITEM	TIER	PARTS NO	DISCRIPTION	单位 QTY	UNIT PRICE	AMOUNT
231	..3	87972003	DC JACK HOLDER T=0.5	1	PS 0.028	0.028
232	..3	87H60301	CASE SHI PREAMP	1	PS 0.143	0.143
233	..3	87H60501	GROUND PLATE	1	PS 0.184	0.184
234	..3	87H60601	POWER HEAT SINK	1	PS 0.297	0.297
235	..3	88010863	LED HOLD	7	PS 0.077	0.536
236	..3	88H60701	ST5811 HOLDER TR ABS	2	PS 0.083	0.167
237	..3	88H60702	LED IR HOLDER ABS	1	PS 0.088	0.088
238	..3	90E90002	TV PCB SERIAL LABEL	1	PS 0.006	0.006
239	..3	ST033	纸胶带	0.025	PS 0.000	0.000
240		0.2 02H66001A	VCP/AUX CONTROL PCB ASS	1	EA 0.000	0.000
241	..3	03H66001A	VCP/AUX CONTROL PCB ASS	1	EA 0.000	0.000
242	...4	12021003	TR 2SC945K TO	4	PS 0.024	0.096
243	...4	13031000	DIODE 1N4148 TAP 52 J	3	PS 0.008	0.025
244	...4	16231101	RESISTOR CF 100 1/8W J	1	PS 0.002	0.002
245	...4	16231102	RESISTOR CF 1K 1/8W J	3	PS 0.002	0.006
246	...4	16231103	RESISTOR CF 10K 1/8W J	1	PS 0.002	0.002
247	...4	16231104	RESISTOR CF 100K 1/8W J	1	PS 0.002	0.002
248	...4	16231221	RESISTOR CF 220 1/8W J	3	PS 0.002	0.006
249	...4	16231222	RESISTOR CF 2.2K 1/8W J	5	PS 0.002	0.011
250	...4	16231224	RESISTOR CF 220K 1/8W J	1	PS 0.002	0.002
251	...4	16231470	RESISTOR CF 47 1/8W J	2	PS 0.002	0.004
252	...4	16231473	RESISTOR CF 47K 1/8W K	1	PS 0.002	0.002
253	...4	16231474	RESISTOR CF 470K 1/8W J	1	PS 0.002	0.002
254	...4	16231750	RESISTOR CF 75 1/8W J	1	PS 0.002	0.002
255	...4	16231822	RESISTOR CF 8.2K 1/8W J	2	PS 0.002	0.004
256	...4	30100050	BARE WIRE 5mm	10	PS 0.000	0.000
257	...4	30100100	BARE WIRE 10mm	1	PS 0.000	0.000
258	...4	30100125	BARE WIRE 12.5mm	1	PS 0.000	0.000
259	...4	85H66001	VCP/AUX CONTROL PCB	1	PS 0.170	0.170
260	..3	10151001	IC MC4069UBP DIP14	1	PS 0.153	0.153
261	..3	10151012	IC MC4066B DIP14	1	PS 0.250	0.250
262	..3	10151013	IC NJM-2233AD DIP8	1	PS 0.502	0.502
263	..3	12032031	TR HIT8550 TO-92 PNP	3	PS 0.036	0.107
264	..3	22820214	SWITCH TACK	1	PS 0.051	0.051
265	..3	23060060	RCA JACK/SW (RED/H-TYPE	1	PS 0.123	0.123
266	..3	23060060N	RCA JACK NO SW (RED/H-T	1	PS 0.115	0.115
267	..3	23060061	RCA JACK/SW (WHITE/H-TY	1	PS 0.123	0.123
268	..3	23060061N	RCA JACK NO SW WHITE/H-	1	PS 0.115	0.115
269	..3	23060062	RCA JACK/SW (YELLOW/H-T	1	PS 0.123	0.123
270	..3	23060062N	RCA JACK NO SW YELLOW/H	1	PS 0.115	0.115
271	..3	24525001	WAFER 5P 2MM ANGLE	2	PS 0.076	0.152
272	..3	24H60327	HOUSING CABLE 3 PIN VCP	1	PS 0.272	0.272
273	..3	24H60526	HOUSING CABLE 5 PIN VCP	1	PS 0.368	0.368
274	..3	24H60527	HOUSING CALED 5 PIN	2	PS 0.416	0.833
275	..3	27151471	CAPACITOR CC 470P J 50V	1	PS 0.014	0.014

深圳忆声电子有限公司
13.8.6 带单价的BOM报表(CUST)

页号: 7

ITEM	TIER	PARTS NO	DISCRIPTION	单位 QTY	UNIT PRICE	AMOUNT
276	..3	27154103	50v	1	PS 0.007	0.007
277	..3	27154104	CAPACITOR CC 0.1U N 50V	1	PS 0.016	0.016
278	..3	27913221	CAPACITOR CE 220U M 10V	1	PS 0.030	0.030
279	..3	27923101	CAPACITOR CE 100U M 16	3	PS 0.030	0.090
280	..3	27953100	CAPACITOR 10U/50V	8	PS 0.018	0.142
281	..3	29323001	LED 3D RED	1	PS 0.039	0.039
282	..3	29353011	LED 3MM GREEN LP L-3*GD	1	PS 0.039	0.039
283	..3	88H62401	LED HOLDER VCP-752	1	PS 0.053	0.053
284		0.2 23033506	JACK STEREO 3.5DC (VCP-	1	PS 0.109	0.109
285		0.2 24100254I	AV CORD 5mm	1	PS 0.789	0.789
286		0.2 24100354	IR CORD 5M (ACN)	1	PS 3.995	3.995
287		0.2 30251456	WIRE UL2547.28AWG 45cm	1	PS 0.121	0.121
288		0.2 31010310	UL TUBE 3D 10MM(FOR AM	1	PS 0.007	0.007
289		0.2 31040010	NYLON TIE 10CM	7	PS 0.003	0.023
290		0.2 33141595	BATTERY DRY UM-4 1.5V	2	PS 0.190	0.381
291		0.2 34H60302	K-DECK DRP-7203 PAL(SP/	1	PS 47.600	47.600
293		0.2 38930204A	CAR CORD 2A 5M	1	PS 0.986	0.986
294		0.2 39489400	SAA""	1	PS 4.493	4.493
295		0.2 42020013	REM CON 10KEY VCR-750	1	PS 3.502	3.502
296		0.2 50H60320	MODEL PLT(TEAC)	1	PS 0.031	0.031
297		0.2 51190604	VCR-752A REM PLT(TEAC)	1	PS 0.123	0.123
298		0.2 51871006	SENSOR PLT GY 310	1	PS 0.027	0.027
300		0.2 51H60207A	JACK PLT VCR-752A	1	PS 0.142	0.142
301		0.2 55023015	DOOR SPRING	1	PS 0.013	0.013
302		0.2 64H60101	RUBBER FOOT (VCP-750)	2	PS 0.043	0.086
303		0.2 69014008	SCREW ISO 4*8 RD+	4	PS 0.006	0.025
304		0.2 69212608	SCREW TP2.6*8	4	PS 0.002	0.008
305		0.2 69213006	SCREW TP 3*6 RD+	1	PS 0.002	0.002
306		0.2 69213008	SCREW TP 3*8 RD+	4	PS 0.002	0.009
307		0.2 69214010	SCREW TP 4X10 RD+	3	PS 0.006	0.017
308		0.2 69223008	SCREW TP 3X8 BK	4	PS 0.005	0.019
309		0.2 69223010	SCREW 3*10 TP BK	2	PS 0.004	0.008
310		0.2 69273008	SCREW TP3*8FL BK	2	PS 0.003	0.006
311		0.2 69423006	SCREW MTP 3*6 RD+ BK	1	PS 0.005	0.005
312		0.2 69702006	SCREW TPW 2.0*6 RD+	4	PS 0.003	0.011
313		0.2 69702606	SCREW 2.6*6	1	PS 0.002	0.002
314		0.2 69703006	SCREW TPW3*6 RD+	1	PS 0.003	0.003
315		0.2 87H60102	TOP COVER (MVP08)	1	PS 2.192	2.192
316		0.2 87H60201	DECK BKT (MVP08)	1	PS 0.245	0.245
317		0.2 87H60701	SHIELD PLT	1	PS 0.373	0.373
318		0.2 87H61001	GND PLATE TOP	1	PS 0.025	0.025
319		0.2 87H61101	DECK H/A SHIELD (MVP08)	1	PS 0.059	0.059
320		0.2 87H61201	ALUMINUM TUBE 5.6X19	2	PS 0.039	0.078
321		0.2 87H61501	HOLDER PLT VCP-750GB	2	PS 0.636	1.271
322		0.2 88H60201	BOTTON-CAB VCP-750 GM	1	PS 1.753	1.753
323		0.2 88H60309	DOOR VCR-750 GM	1	ps 0.515	0.515
324		0.2 88H60401B	PLAY KNOB (BLACK)	1	PS 0.438	0.438

ITEM	TIER	PARTS NO	DISCRIPTION	QTY		UNIT PRICE	AMOUNT
325	0.2	88H60402A	POWER KNOB (REC)	1	PS	0.438	0.438
326	0.2	88H62104	F-CAB VCR-752A GM (TECA)	1	ps	1.464	1.464
328	0.2	88H62202	JACK COVER VCP-752U	1	PS	0.300	0.300
329	0.2	88H62301	AUX/VCP KNOB VCP-752	1	PS	0.053	0.053
330	0.2	90811706	E. P"	1.25	PS	0.011	0.014
331	0.2	90G10407C	SERIAL LABEL (三联)	1	PS	0.020	0.020
332	0.2	90H60014	ADAPTOR PLT (TECK)	1	PS	0.026	0.026
333	0.2	91H60320A	IB VCR-752 TEAC	1	PS	0.287	0.287
334	0.2	93H60320	GB VCR-752A (TEAC)	1	PS	0.833	0.833
335	0.2	94H60320	CTN VCR-752 (TEAC)	0.25	PS	1.394	0.348
336	0.2	96H60101	POLYFOAM (L. R) (MVPO8)	1	PS	0.399	0.399
337	0.2	97041024	HEME POLYFORM	1	PS	0.007	0.007
338	0.2	97061634	PE BAG ACCESSORY	2	PS	0.013	0.027
339	0.2	97064047	PE BAG	1	PS	0.033	0.033
340	0.2	97H60608	PE BAG VCP-750GB	1	PS	0.007	0.007
341	0.2	97H61318	PE BAG VCP-750GB	2	PS	0.006	0.012
342	0.2	ST001	封箱胶带 48m/m	0.08	PS	0.000	0.000
343	0.2	ST043	玻璃胶带	0.008	PS	0.000	0.000

	<p>深圳憶聲電子有限公司 SHENZHEN ACTION ELECTRONIC CO., LTD TEL: 86-755-6605710 FAX: 86-755-6903745 SHENZHEN, CHINA</p>	<p>F A X</p>
<p>TO: DAEWOO</p>	<p>FROM: MS. X. L. KAO</p>	<p>DATE: 2000/03/22</p>
<p>ATTN: MR. I. C. HWANG</p>		<p>YOUR REF:</p>
<p>CC: MR. Y. M. LIM / MR. I. B. KONG / MR. G. H. KO / MR. M. S. SO</p>		<p>OUR REF:</p>
<p>FAX NO.: 0082-2-3647833/0082-343-4285295/020-87520217</p>		

Dear Sirs,

I would like to notify you that I will leave Shenzhen Action tomorrow. Mr. R. Y. Yang will take over my job temporarily.

I sincerely appreciate your constant support and endeavor you have done for us during these years, at the same time, I also learned much from you, which make me cherish.

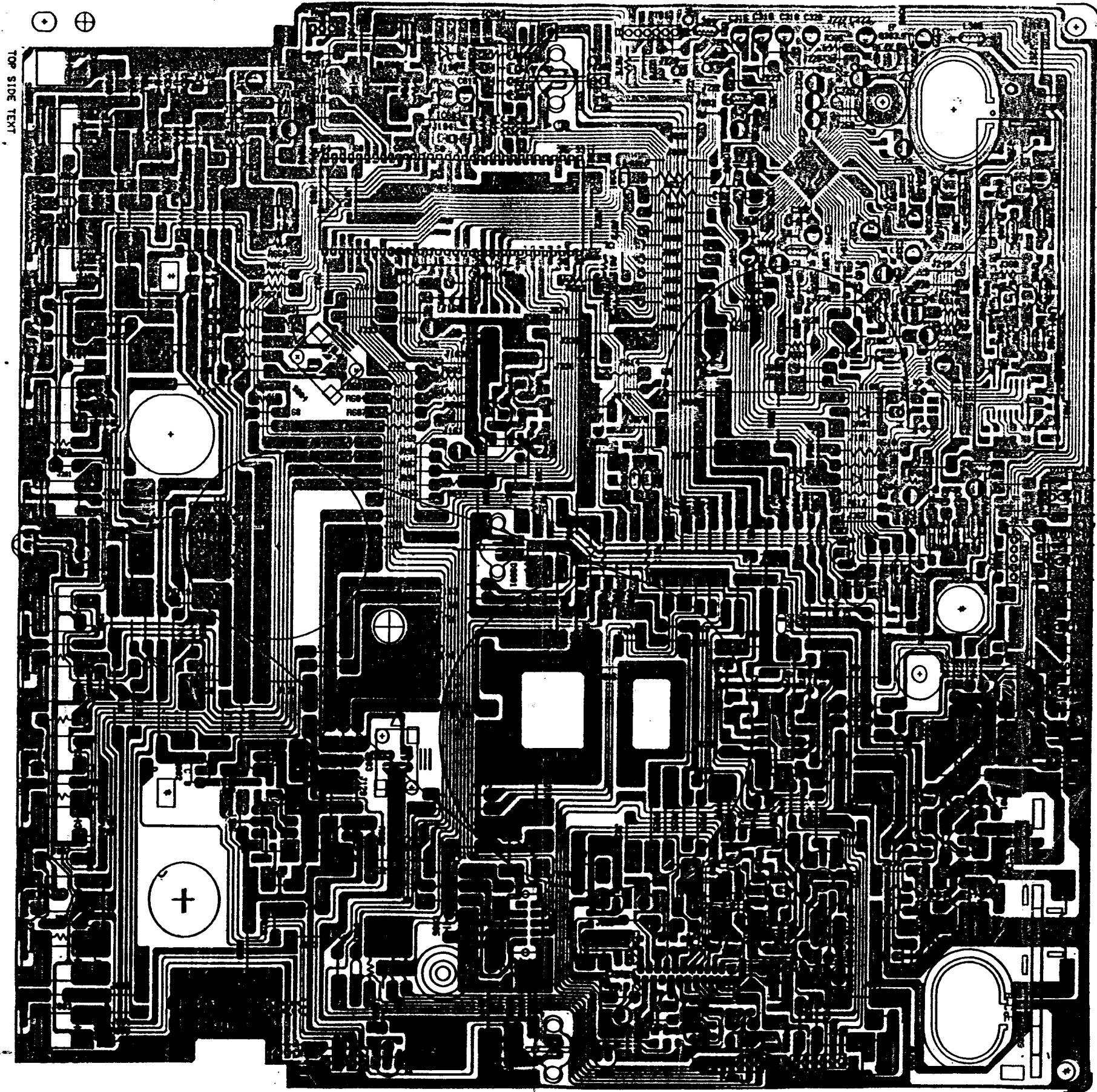
Please continue to expand your support to Mr. R. Y. Yang. Thank you very much .

Best Regards,

X. L. KAO

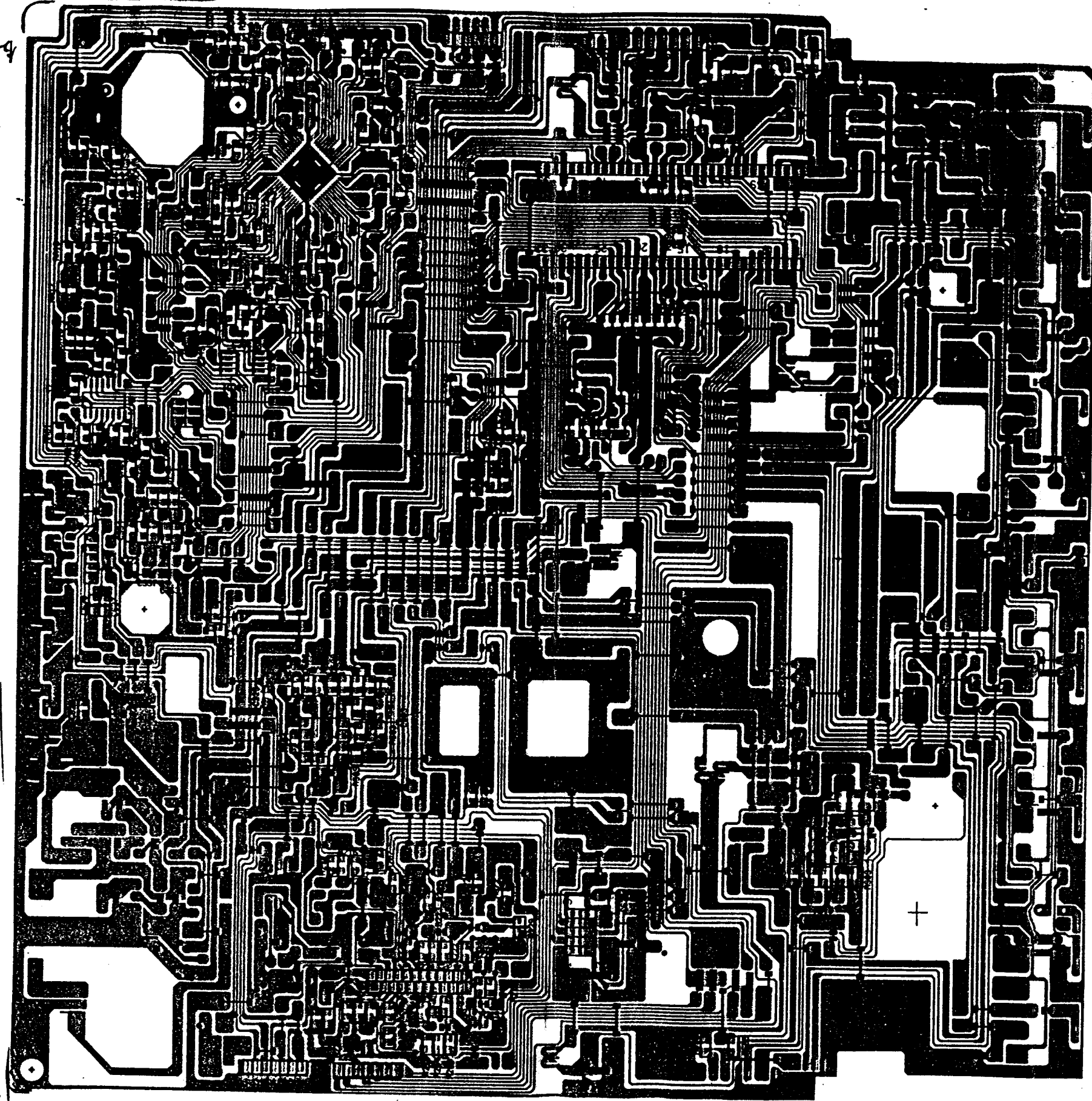
VCP/VCR PRINTED CIRCUIT BOARD

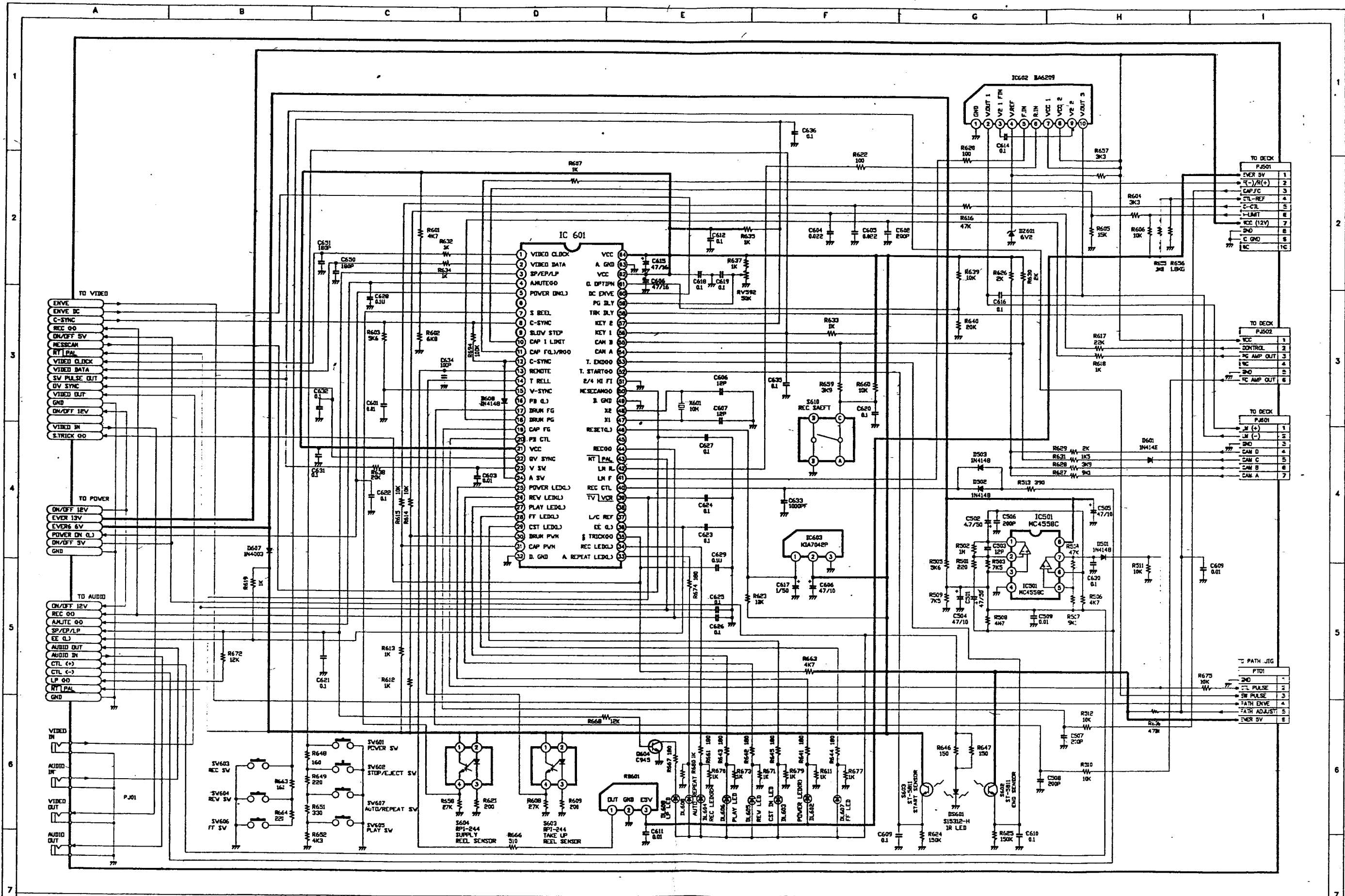
Top View
Bottom View 305 37 38 4 42 11 3



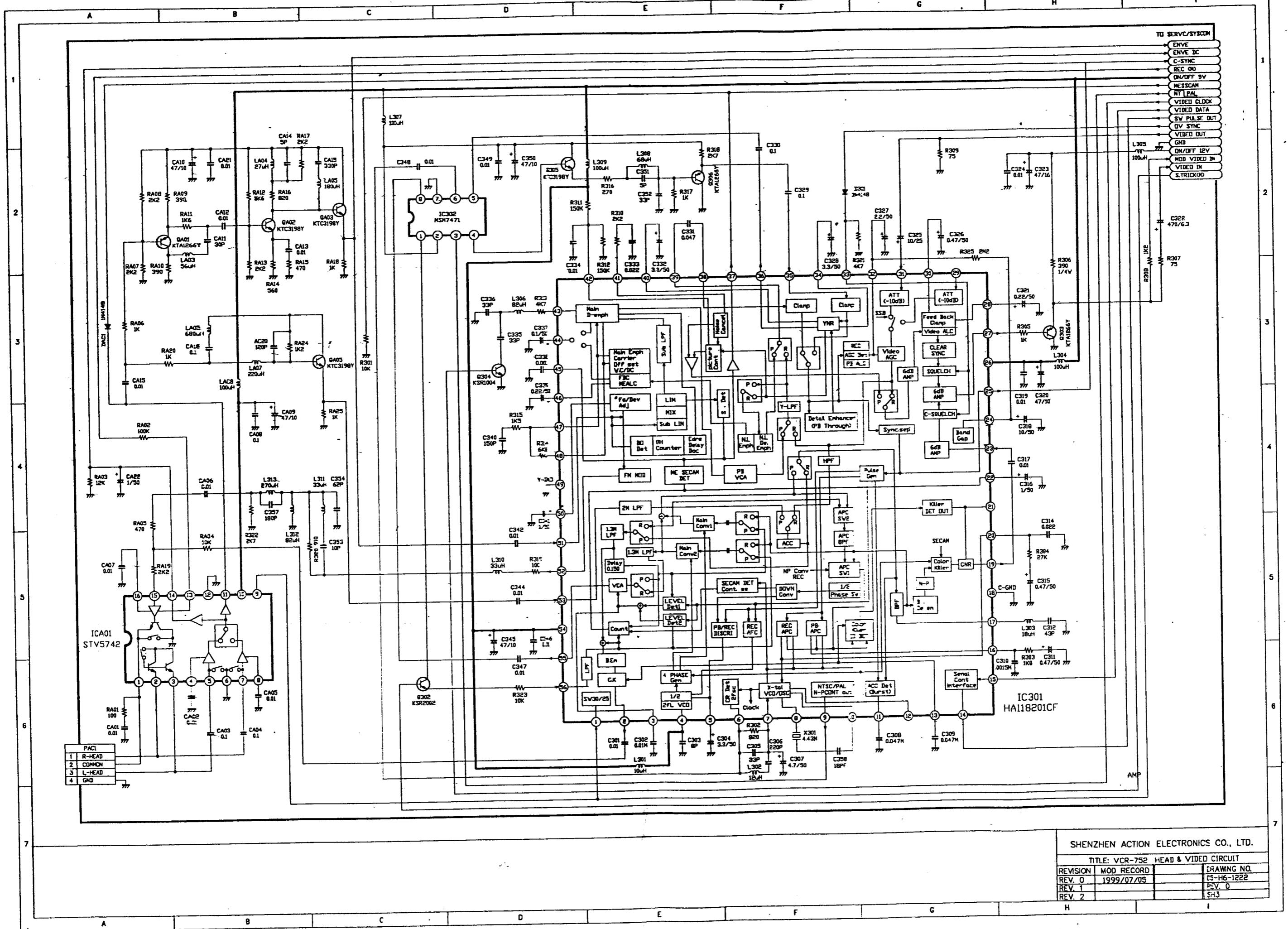
Bottom View

图 7 JS-HI-102 电路板 Z 48.4.29





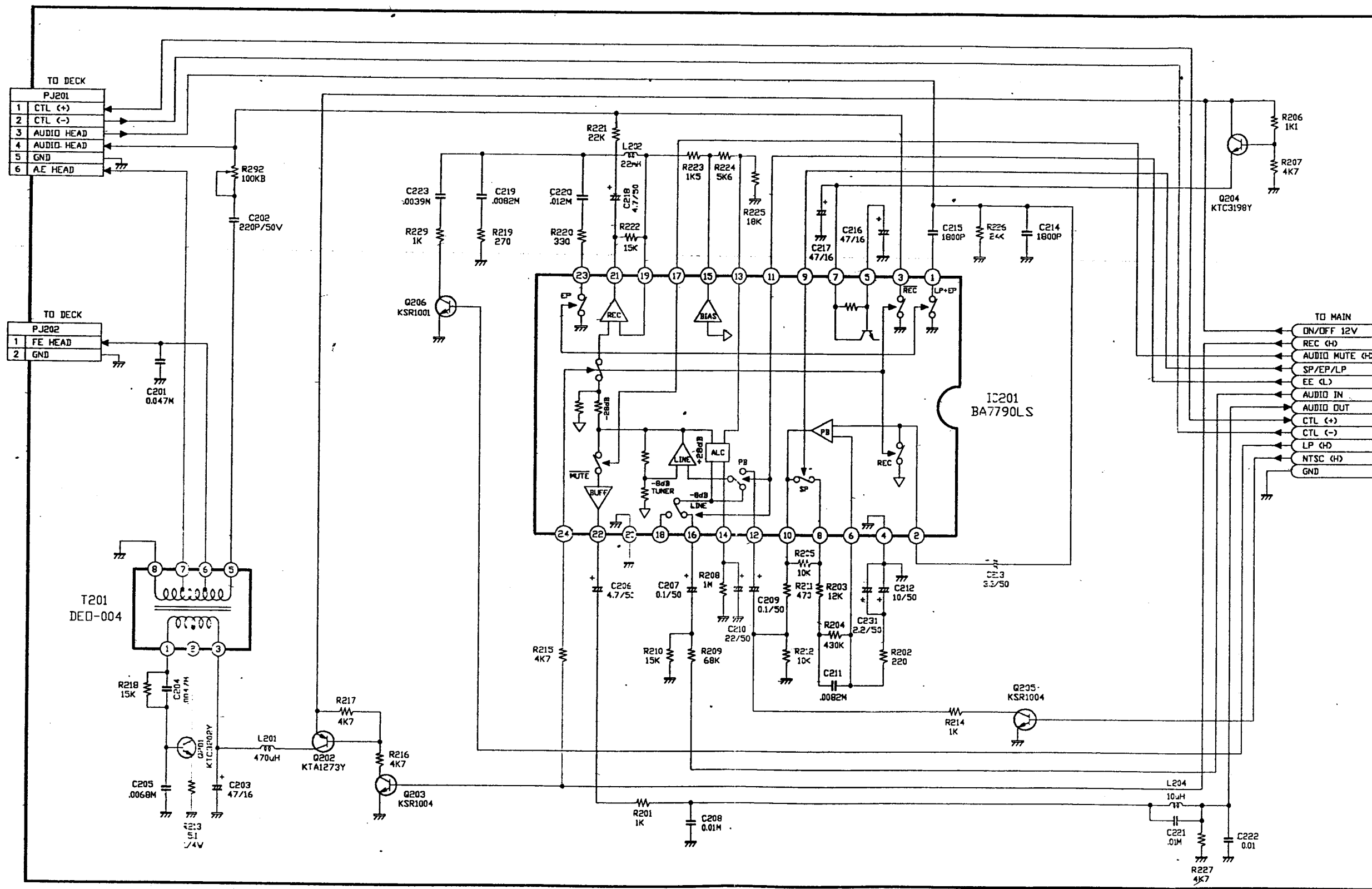
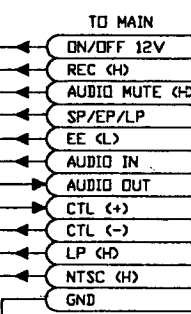
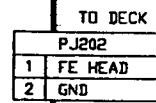
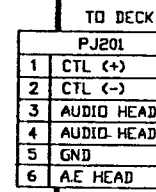
SHENZHEN ACTION ELECTRONICS CO., LTD.
 TITLE: VCR-752 A/V SWITCH CIRCUIT
 REVISION: WOD RECORD
 REV. 0: 1999/07/05
 REV. 1
 REV. 2
 DRAWING NO.: 05-16-1221
 REV. 0
 SH2



SHENZHEN ACTION ELECTRONICS CO., LTD.

TITLE: VCR-752 HEAD & VIBED CIRCUIT

REVISION	MOD RECORD	DRAWING NO.
REV. 0	1999/07/05	CS-H6-1222
REV. 1		REV. 0
REV. 2		S-43



SHENZHEN ACTION ELECTRONICS CO., LTD.

TITLE: VCR-752 AUDIO CIRCUIT

REVISION	MOD RECORD	DRAWING NO.
REV. 0	1999/07/05	05-H6-1223
REV. 1		REV. 0
REV. 2		SH4

TEAC®

TEAC CORPORATION 3-7-3, Nakacho, Musashino-shi, Tokyo 180, Japan. Phone: (0422) 52-5081

TEAC AUSTRALIA PTY., LTD. A.C.N. 005 408 462

HEAD OFFICE 106 Bay Street, Port Melbourne, VIC 3207. Phone: (03) 9644-2442

NSW OFFICE Unit 4, 175-179 James Ruse Drive, Rosehill, NSW 2142. Phone: (02) 8845-1155

QLD OFFICE 335 Montague Road, West End, QLD 4101. Phone: (07) 3844-8866

WA OFFICE 19 Vinnicombe Drive, Canningvale, WA 6155. Phone: (08) 9455-5995

SA OFFICE Cnr. Burbridge & Marion Roads, Cowandilla, SA 5033. Phone: (08) 8234-1044